

GS1 System

Ideal-Message DESADV 4.3.0

incl. bilateral agreements

03.07.2018

Based on EANCOM ® 2002

Zusammen Werte schaffen

Documentation conventions

Format and pictures

as described in column "Format" of segment details

Character type:

a :alphabetic characters
n :numeric characters
an :alpha-numeric characters

Size:

Fixed : all positions must be used
Variable : positions may be used up to a specified maximum

Examples:

as described in column "St" of segment details

Status indicators

as described in column "St" of segment details

(R)equired

Indicates that the entity is required and must be sent. (This status is set by EANCOM®.)

(C)onditional

Indicates that the entity is conditional and may be sent at the discretion of the user.

(D)ependent

Indicates that the entity must be sent in certain conditions, as defined by the relevant explanatory note.

(N)ot used

Indicates that the entity is not used.

Restriction indicators

as described in column "R" of segment details

Restricted (*)

A data element marked with an asterisk (*) in the fourth column of the segment details of a message indicates that the listed codes in column five are the only codes available for use with the data element at the same level as the asterisk, in the current segment, in the current message.

Open

All data elements in which coded representation of data is possible, and in which a restricted set of code values is not indicated, are open. The available codes are listed in the Data Elements and Code Sets Directory (Part III of this manual). Code values may be given as examples or there may be a note on the format or type of code to be used.

DESADV

4.3.0

incl. bilateral agreements

Message description

The Despatch Advice is a message specifying details for the goods despatched under conditions agreed between the buyer and the seller, with the function of advising the consignee of the detailed contents of a consignment.

There are several kind of deliveries:

1. Ordinary deliveries (Deliveries to distribution center)
2. Direct store deliveries
3. Crossdocking
4. Transshipment
5. Return shipments

The kind of delivery can be recognized by content of message:

Ordinary delivery:

BGM+351+101' Delivery number 101
NAD+BY+7612345000183::9' GLN of buyer
NAD+SU+7612345000190::9' GLN of supplier
NAD+DP+7612345002170::9' GLN of distribution center

Direct store delivery:

BGM+351+102' Delivery number 102
ALI+++148' (conditional)
NAD+BY+7612345000183::9' GLN of buyer
NAD+SU+7612345000190::9' GLN of supplier
NAD+DP+7612345002316::9' GLN of store

Crossdocking delivery one-level / transshipment:

BGM+YA6+103' Delivery number 103
NAD+BY+7612345000183::9' GLN of buyer
NAD+SU+7612345000190::9' GLN of supplier
NAD+DP+7612345002170::9' GLN of distribution center
NAD+UC+7612345002316::9' GLN of store

Crossdocking delivery two-level:

BGM+YA5+104' Delivery number 104
NAD+BY+7612345000183::9' GLN of buyer
NAD+SU+7612345000190::9' GLN of supplier
NAD+DP+7612345002170::9' GLN of distribution center

Return shipments:

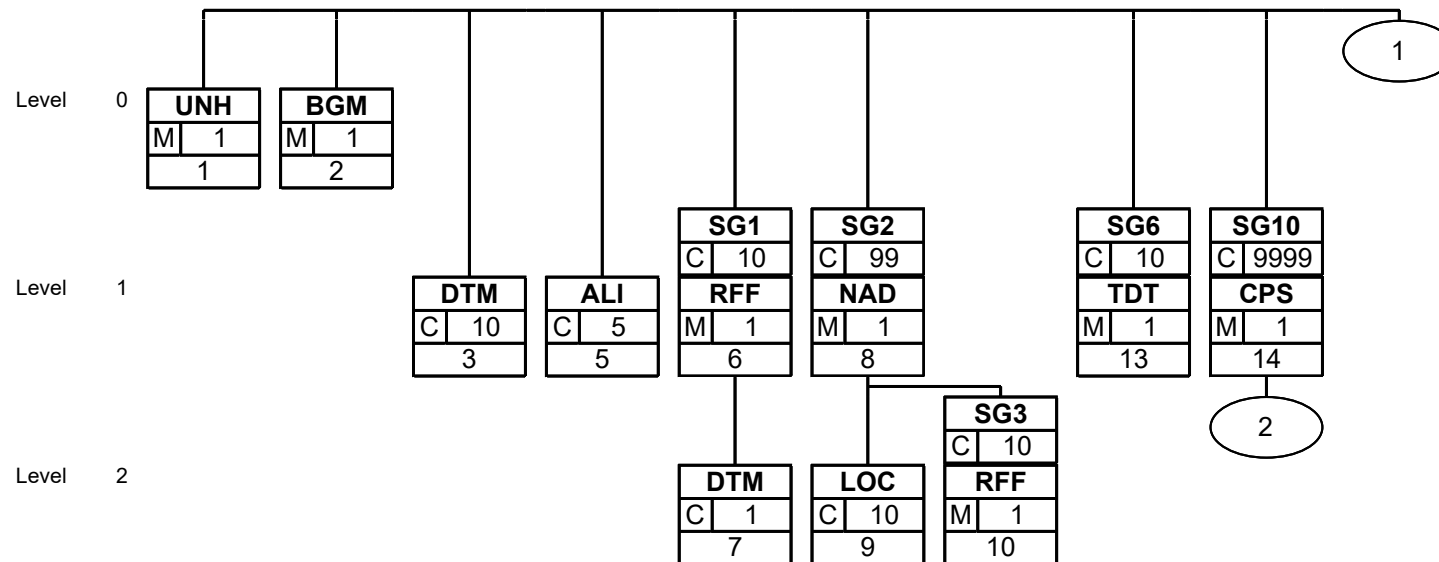
BGM+35E+105' Delivery number 105
NAD+BY+7612345000183::9' GLN of buyer
NAD+SU+7612345000190::9' GLN of supplier
NAD+DP+7612345002170::9' GLN of distribution center

To mark crossdocking deliveries the codes YA5 & YA6 are conditional as the messages are defined by its content. For the simplicity of the processes the use of codes YA5 & YA6 are recommended.
Direct store deliveries can be marked with the use of the ALI segment.

DESADV 4.3.0

incl. bilateral agreements

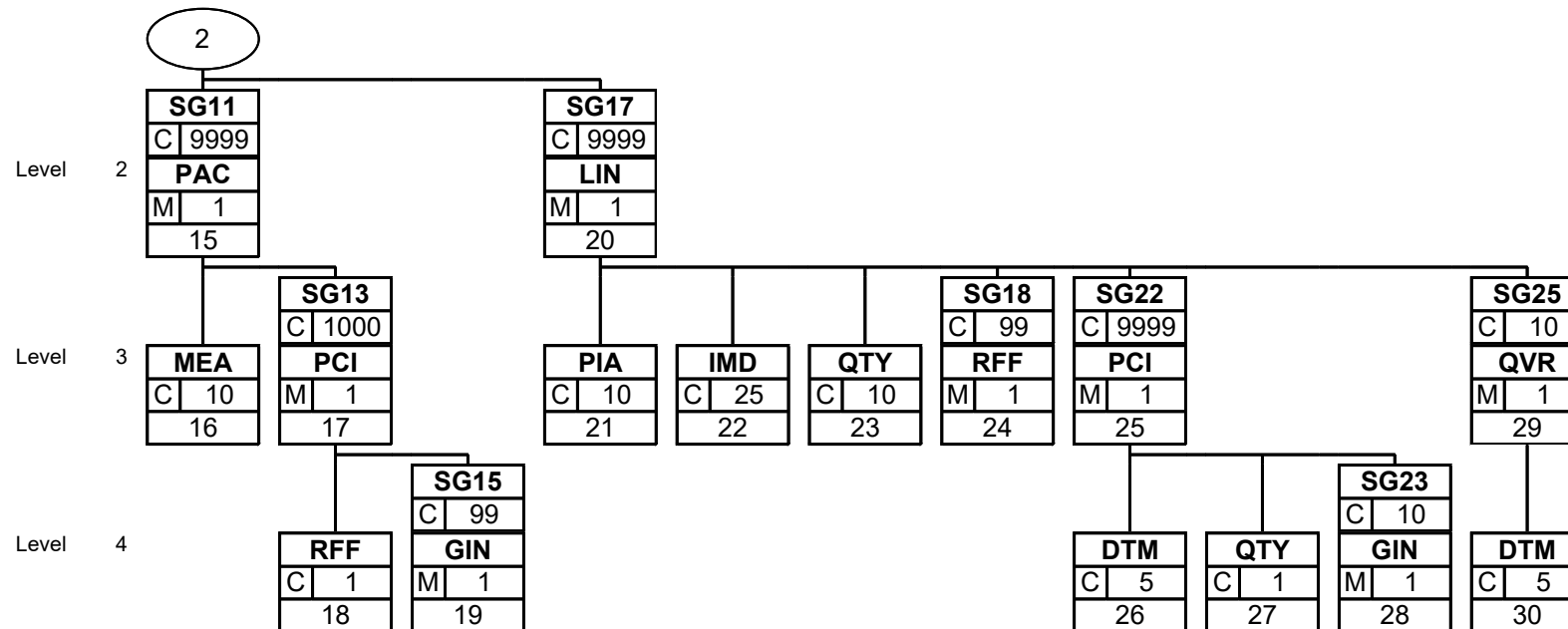
Branching diagram



DESADV 4.3.0

incl. bilateral agreements

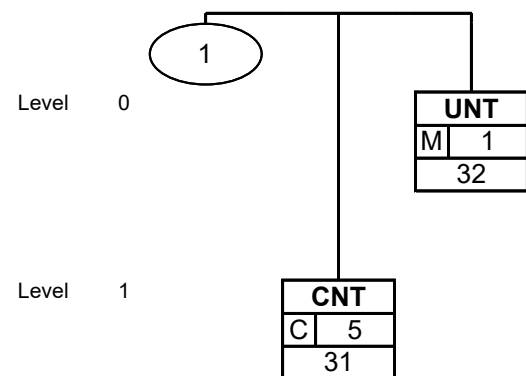
Branching diagram



DESADV 4.3.0

incl. bilateral agreements

Branching diagram



DESADV 4.3.0

Segments Layout

Segment **UNH** No.: 1 Level: 0 Message header
 Status: M Max. occ.: 1

Description Message header

Description of Segment:

	Description	St Format	*	Example	Remarks
0062	Message reference number	M an..14		+123700 1	Senders unique message reference. Sequence number of the messages in the interchange. DE 0062 in the UNT will be identical. Sender generated. Numbers in ascending order without gaps.
S009	Message identifier	M			
0065	Message type	M an..6	*	+DESA DV	DESAD = Despatch advice message V
0052	Message version number	M an..3	*	:D	D = Draft version/UN/EDIFACT Directory
0054	Message release number	M an..3	*	:01B	01B = Release 2001 - B
0051	Controlling agency	M an..2	*	:UN	UN = UN/CEFACT
0057	Association assigned code	R an..6	*	: EAN007'	EAN00 = EAN version control number (EAN Code) 7

Description:

This segment is used to head, identify and specify a message.

DE's 0065, 0052, 0054, and 0051: Indicate that the message is a UNSM Despatch Advice message based on the D.01B directory under the control of the United Nations.

Example:

UNH+1237001+DESADV:D:01B:UN:EAN007'

DESADV 4.3.0

Segments Layout

Segment **BGM** No.: 2 Level: 0 Beginning of message
 Status: M Max. occ.: 1

Description Beginning of message

Description of Segment:

	Description	St Format	*	Example	Remarks
C002	Document/message name	R			
1001	Document name code	R an..3	*	+351	351 = Despatch advice 35E = Returns advice (EAN Code) YA5 = Intermediate handling cross docking despatch advice (EAN Code) YA6 = Pre-packed cross docking [transshipment] despatch advice (EAN Code) Code 35E is used for return deliveries (withdrawal of the goods, damages, returns)
1131	Code list identification code	N an..17	:	:	
3055	Code list responsible agency code	D an..3	*	:9	9 = EAN (International Article Numbering association) Code 9 is only used for GS1-Codes (35E, YA5, YA6)
C106	Document/message identification	R			
1004	Document identifier	R an..35		+587441	Despatch Advice number assigned by the document sender.
1225	Message function code	R an..3	*	+9'	9 = Original 31 = Copy Code 31 can be used to forward copies of the messages to 3rd parties (logistics provider)

Description:

This segment is used to indicate the type and function of the message and to transmit the identifying number.

All references other than the document number DE 1004 are to be put in the RFF segment.

Example:

BGM+351+587441+9'

DESADV 4.3.0

Segments Layout

Segment **DTM** No.: 3 Level: 1 Date/time/period
 Status: C Max. occ.: 10

Description Date/time/period

Description of Segment:

	Description	St Format	*	Example	Remarks
C507	Date/time/period	M			
2005	Date or time or period function code qualifier	M an..3	*	+137	11 = Despatch date and/or time 17 = Delivery date/time, estimated 63 = Delivery date/time, latest 64 = Delivery date/time, earliest 137 = Document/message date/time 200 = Pick-up/collection date/time of cargo Code value 137 is required Codes 11 & 200 are used for international transports.
2380	Date or time or period value	R an..35		: 2006011 7103523	
2379	Date or time or period format code	R an..3	*	:204'	204 = CCYYMMDDHHMMSS

Description:

This segment is used to specify the date of the Despatch Advice or any dates related to the delivery of goods.

DE 2005: Identification of the 'Document/message date/time' (code value 137) is mandatory in an EANCOM message.

Example:

DTM+137:20060117103523:204'

DTM+17:20060131000000:204'

DESADV 4.3.0

Segments Layout

Segment **ALI** No.: 5 Level: 1 Additional information
 Status: C Max. occ.: 5

Description Additional information

Description of Segment:

	Description	St Format	*	Example	Remarks
3239	Country of origin name code	N an..3		+	
9213	Duty regime type code	N an..3		+	
4183	Special condition code	C an..3	*	+148'	148 = Supply direct delivery 164 = Shipment completes order

Description:

This segment is used to specify any additional information related to the complete order.

This segment can be used to mark direct store deliveries (DSD)

Example:

ALI+++148'

DESADV 4.3.0

Segments Layout

Group **SG1** Status:C Max. occ.: 10 RFF-DTM

Segment **RFF** No.: 6 Level: 1 Reference
 Status:M Max. occ.: 1

Description Reference

Description of Segment:

	Description	St Format	*	Example	Remarks
C506	Reference	M			
1153	Reference code qualifier	M an..3	*	+AAK	AAJ = Delivery order number AAK = Despatch advice number * AAU = Despatch note number CR = Customer reference number ON = Order number (buyer) PD = Promotion deal number POR = Purchase order response number VN = Order number (supplier) ** PW = Prior purchase order number *** * AAK can be used for return deliveries ** VN can be used for the VMI process *** The use of code PW (Prior purchase order number) must be bilaterally agreed.
1154	Reference identifier	R an..70		:12332'	

Description:

This segment is used to provide references that apply to the whole transaction.

Example:

RFF+AAK:12332'

DESADV 4.3.0

Segments Layout

Group	SG1	Status:C	Max. occ.: 10	RFF-DTM
Segment	DTM	No.: 7 Status:C	Level: 2 Max. occ.: 1	Date/time/period

Description Date/time/period

Description of Segment:

	Description	St Format	*	Example	Remarks
C507	Date/time/period	M			
2005	Date or time or period function code qualifier	M an..3	*	+171	171 = Reference date/time
2380	Date or time or period value	R an..35		: 2006011 6141530	
2379	Date or time or period format code	R an..3	*	:204'	204 = CCYYMMDDHHMMSS

Description:

This segment is used to specify dates relating to the references given in the previous RFF segment.

Example:

DTM+171:20060116141530:204'

DESADV 4.3.0

Segments Layout

Group **SG2** Status:C Max. occ.: 99 NAD-LOC-SG3

Segment **NAD** No.: 8 Level: 1 Name and address
Status:M Max. occ.: 1

Description Name and address

Description of Segment:

	Description	St Format	*	Example	Remarks
3035	Party function code qualifier	M an..3	*	+BY	BY = Buyer DP = Delivery party LSP = Logistic Service Provider (GS1 Temporary Code) PW = Despatch party SU = Supplier UC = Ultimate consignee WH = Warehouse keeper The use of qualifiers BY & SU is mandatory.
C082	Party identification details	A			
3039	Party identifier	M an..35		+509910 4000129	GLN - Format n13 Format n13
1131	Code list identification code	C an..17		:	
3055	Code list responsible agency code	R an..3	*	:9	9 = EAN (International Article Numbering association)
C058	Name and address	C			
3124	Name and address description	N an..35		+	
C080	Party name	C			This segment group may only be used with the qualifier UC (ultimate consignee) to transmit home addresses of persons without GLN.
3036	Party name	M an..35		+Frau	
3036	Party name	C an..35		: Cornelia Muster	
3036	Party name	C an..35		:	
3036	Party name	C an..35		:	
3036	Party name	C an..35		:X	
C059	Street	C			This segment group may only be used with the qualifier UC (ultimate consignee) to transmit home addresses of persons without GLN.
3042	Street and number or post office box identifier	M an..35		+Ohnew ertstrass	

DESADV 4.3.0

Segments Layout

	Description	St Format	*	Example	Remarks
3042	Street and number or post office box identifier	C an..35		e 12	
3042	Street and number or post office box identifier	C an..35		:	
3042	Street and number or post office box identifier	C an..35		:X	
3164	City name	C an..35		+Hinterkappelen	This field may only be used with the qualifier UC (ultimate consignee) to transmit home addresses of persons without GLN.
C819	Country sub-entity details	C			
3229	Country sub-entity name code	C an..9		+	
3251	Postal identification code	C an..17		+3032	This field may only be used with the qualifier UC (ultimate consignee) to transmit home addresses of persons without GLN.
3207	Country name code	C an..3		+CH'	This field may only be used with the qualifier UC (ultimate consignee) to transmit home addresses of persons without GLN.

Description:

This segment is used to identify the trading partners involved in the Despatch Advice message.

Identification of the supplier and buyer is recommended in the Despatch Advice. Additionally, the shipper and delivery party may be identified when different from the supplier or buyer.

The delivery address in NAD is the main delivery address valid for all line items. It can be overridden at line level by the use of the Segment Group 20 (LOC-NAD-DTM-QTY) in which multiple delivery addresses can be specified for split deliveries.

Dependency Notes:

The following composites and data elements are only used when a coded name and address can not be used. The affected composites and data elements are as follows:

C080 - C059 - 3164 - C819 - 3251 - 3207

Example:

NAD+BY+5099104000129::9'

NAD+SU+5412345123450::9'

NAD+UC+++Frau:Cornelia Muster+Ohnewertstrasse 12+Hinterkappelen++3032+CH'

DESADV 4.3.0

Segments Layout

Group **SG2** Status:C Max. occ.: 99 NAD-LOC-SG3

Segment **LOC** No.: 9 Level: 2 Place/location identification
Status:C Max. occ.: 10

Description Place/location identification

Description of Segment:

	Description	St Format	*	Example	Remarks
3227	Location function code qualifier	M an..3	*	+7	7 = Place of delivery
C517	Location identification	C			
3225	Location name code	C an..25		+Gate 23'	

Description:

In this segment a detailed place for delivery can be transmitted (No of gate/ramp). It may only be used in connection with NAD+DP.

The use of this segment must be bilaterally agreed.

Example:

DESADV 4.3.0

Segments Layout

Group	SG2	Status:C	Max. occ.: 99	NAD-LOC-SG3
Group	SG3	Status:C	Max. occ.: 10	RFF
Segment	RFF	No.: 10 Status:M	Level: 2 Max. occ.: 1	Reference

Description Reference

Description of Segment:

	Description	St Format	*	Example	Remarks
C506	Reference	M			
1153	Reference code qualifier	M an..3	*	+YC1	YC1 = Additional party identification (EAN Code)
1154	Reference identifier	R an..70		: 6558774 '	

Description:

This segment is used to specify references related to the party identified in the previous NAD segment.

Example:

RFF+YC1:6558774'

DESADV 4.3.0

Segments Layout

Group **SG6** Status:C Max. occ.: 10 TDT

Segment **TDT** No.: 13 Level: 1 Details of transport
Status:M Max. occ.: 1

Description Details of transport

Description of Segment:

	Description	St Format	*	Example	Remarks
8051	Transport stage code qualifier	M an..3	*	+20	20 = Main-carriage transport
8028	Means of transport journey identifier	C an..17		+	
C220	Mode of transport	A			
8067	Transport mode name code	R an..3	*	+30	10 = Maritime transport 20 = Rail transport 30 = Road transport 40 = Air transport 50 = Mail 60 = Multimodal transport 100 = Courier service (EAN Code)
C228	Transport means	O			
8179	Transport means description code	D an..8		+23	23 = Rail bulk car 25 = Rail express 31 = Truck 43 = Refrigerated truck 59E = Rail wagon (EAN Code) All codes of codeliste 8179 may be used
C040	Carrier	O			
3127	Carrier identifier	A an..17		+123456 7890123	GLN - Format n13 GLN of Carrier/Forwarding agent
1131	Code list identification code	N an..17		:	
3055	Code list responsible agency code	D an..3		:9	9 = EAN (International Article Numbering association)
3128	Carrier name	O an..35		:Müller Transpo rt	
8101	Transit direction indicator code	C an..3		+	
C401	Excess transportation information	C			
8457	Excess transportation reason code	M an..3		+	

DESADV 4.3.0

Segments Layout

	Description	St Format	*	Example	Remarks
C222	Transport identification	O			
8213	Transport means identification name identifier	C an..9	+		
1131	Code list identification code	C an..17	:		
3055	Code list responsible agency code	C an..3	:		
8212	Transport means identification name	R an..35		:BL 123456'	Vehicle licence plate/Aircraft number/Freight waggon number

Description:

This segment is used to specify transport services used in the despatch advice.

Dependency Notes:

DE C228: DE 8179 and DE 8178 are only used when the type of transport must be specifically identified, that is, when a generic description such as road transport is unsuitable.

Example:

TDT+20++30+23+1234567890123::9:Müller Transport+++:::BL 123456'

DESADV 4.3.0

Segments Layout

Group	SG10	Status:C	Max. occ.: 9999	CPS-SG11-SG17
Segment	CPS	No.: 14 Status:M	Level: 1 Max. occ.: 1	Consignment packing sequence

Description Consignment packing sequence

Description of Segment:

	Description	St Format	*	Example	Remarks
7164	Hierarchical structure level identifier	M an..35		+2	Sequential numbering recommended.
7166	Hierarchical structure parent identifier	A an..35		+1'	

Description:

This segment is used to identify the sequence in which packing of the consignment occurs.

Please refer to the Structure of the Despatch Advice Message section in the introduction for details on the use of the CPS segment.

To identify the sequence in which physical packing is presented in the consignment, and optionally to identify the hierarchical relationship between packing layers.

Example:

CPS+2+1'

DESADV 4.3.0

Segments Layout

Group	SG10	Status:C	Max. occ.: 9999	CPS-SG11-SG17
Group	SG11	Status:C	Max. occ.: 9999	PAC-MEA-SG13
Segment	PAC	No.: 15 Status:M	Level: 2 Max. occ.: 1	Package

Description Package

Description of Segment:

	Description	St Format	*	Example	Remarks
7224	Package quantity	O n..8		+1	
C531	Packaging details	A			
7075	Packaging level code	N an..3		+	
7233	Packaging related description code	O an..3	*	:52	52 = Package barcoded UCC or EAN-128 NBR = Not barcoded (EAN Code)
C202	Package type	O			
7065	Package type description code	A an..17		+08	08 = Oneway pallet (EAN Code) 09 = Returnable pallet (EAN Code) 201 = Pallet ISO 1 - 1/1 EURO Pallet (EAN Code) CT = Carton All codes of codeliste 7065 may be used
1131	Code list identification code	N an..17		:	
3055	Code list responsible agency code	D an..3	*	:9'	9 = EAN (International Article Numbering association)

Description:

This segment can be used to identify the total number of packages per hierarchical level identified in the CPS segment, in a shipment. The contents of each package is subsequently described in the following LIN segment.

Please refer to the 'Structure of the Despatch Advice Message' section in the introduction for details on the use of the PAC segment.

Example:

PAC+1+:52+08::9'

DESADV 4.3.0

Segments Layout

Group	SG10	Status:C	Max. occ.: 9999	CPS-SG11-SG17
Group	SG11	Status:C	Max. occ.: 9999	PAC-MEA-SG13
Segment	MEA	No.: 16 Status:C	Level: 3 Max. occ.: 10	Measurements

Description Measurements

Description of Segment:

	Description	St Format	*	Example	Remarks
6311	Measurement purpose code qualifier	M an..3	*	+PD	PD = Physical dimensions (product ordered)
C502	Measurement details	A			
6313	Measured attribute code	A an..3	*	+AAB	AAB = Unit gross weight AAD = Total gross weight AAW = Gross volume DI = Diameter HT = Height dimension LN = Length dimension WD = Width dimension
6321	Measurement significance code	O an..3		:3	3 = Approximately 4 = Equal to .BP All codes of codeliste 6321 may be used
C174	Value/range	R			
6411	Measurement unit code	M an..3	*	+KGM	CMT = centimetre KGM = kilogram LTR = litre MTQ = cubic metre MTR = metre
6314	Measurement value	O an..18		:1.25'	

Description:

This segment is used to provide measurements relevant to the packaging unit and level described in the PAC segment.

Example:

MEA+PD+AAB:3+KGM:1.25'

DESADV 4.3.0

Segments Layout

Group	SG10	Status:C	Max. occ.: 9999	CPS-SG11-SG17
Group	SG11	Status:C	Max. occ.: 9999	PAC-MEA-SG13
Group	SG13	Status:C	Max. occ.: 1000	PCI-RFF-SG15
Segment	PCI	No.: 17 Status:M	Level: 3 Max. occ.: 1	Package identification

Description Package identification

Description of Segment:

	Description	St Format	*	Example	Remarks
4233	Marking instructions code	R an..3	*	+33E'	33E = Marked with serial shipping container code (EAN Code) 41G = Marked with GS1 Global Returnable Asset Identifier (GS1 Code)

Description:

This segment is used to provide markings and labels information relevant to the packaging unit and level identified in the PAC segment.

Example:

PCI+33E'

DESADV 4.3.0

Segments Layout

Group	SG10	Status:C	Max. occ.: 9999	CPS-SG11-SG17
Group	SG11	Status:C	Max. occ.: 9999	PAC-MEA-SG13
Group	SG13	Status:C	Max. occ.: 1000	PCI-RFF-SG15
Segment	RFF	No.: 18 Status:C	Level: 4 Max. occ.: 1	Reference

Description Reference

Description of Segment:

	Description	St Format	*	Example	Remarks
C506	Reference	M			
1153	Reference code qualifier	M an..3	*	+AAT	AAT = Master label number
1154	Reference identifier	R an..70		: 3761234 5001159 0001'	

Description:

This segment is used to specify any references which relate to the package identification, e.g., master label number.

Example:

RFF+AAT:376123450011590001'

DESADV 4.3.0

Segments Layout

Group	SG10	Status:C	Max. occ.: 9999	CPS-SG11-SG17
Group	SG11	Status:C	Max. occ.: 9999	PAC-MEA-SG13
Group	SG13	Status:C	Max. occ.: 1000	PCI-RFF-SG15
Group	SG15	Status:C	Max. occ.: 99	GIN
Segment	GIN	No.: 19 Status:M	Level: 4 Max. occ.: 1	Goods identity number

Description Goods identity number

Description of Segment:

	Description	St Format	*	Example	Remarks
7405	Object identification code qualifier	M an..3	*	+BJ	BJ = Serial shipping container code DA = GS1 Global Returnable Asset Identifier, without serial number DB = GS1 Global Returnable Asset Identifier, with serial number
C208	Identity number range	M			
7402	Object identifier	M an..35		+354123 4500000 00014'	

Description:

This segment is used to provide identification numbers relevant to the packaging unit and level identified in the PAC segment.

Example:

GIN+BJ+354123450000000014'

DESADV 4.3.0

Segments Layout

Group	SG10	Status:C	Max. occ.: 9999	CPS-SG11-SG17
Group	SG17	Status:C	Max. occ.: 9999	LIN-PIA-IMD-QTY-SG18-SG22-SG25
Segment	LIN	No.: 20 Status:M	Level: 2 Max. occ.: 1	Line item

Description Line item

Description of Segment:

	Description	St Format	*	Example	Remarks
1082	Line item identifier	R an..6		+1	Application generated number of the item lines within the Despatch Advice. Numbers in ascending order without gaps starting with 1.
1229	Action request/notification description code	N an..3		+	
C212	Item number identification	D			
7140	Item identifier	R an..35		+761234 5001159	Format n..14 GTIN - this is the number of the article being despatched. Format n..14
7143	Item type identification code	R an..3	*	:SRV	SRV = EAN.UCC Global Trade Item Number
C829	Sub-line information	D			
5495	Sub-line indicator code	R an..3	*	+1	1 = Sub-line information
1082	Line item identifier	R an..6		:1'	

Description:

This segment is used to identify the line item being despatched.

Dependency Notes:

C829 is only used when sub-lines are required.

Example:

Non-delivery / Complete:

LIN+1++7612345001005:SRV'

QTY+12:0'

QVR+-75:21+CP'

Non-delivery / short shipment

LIN+2++7612345000800:SRV'

QTY+12:0'

QVR+-50:21+BP'

DESADV 4.3.0

Segments Layout

DTM+X13:20060312100000:204'

LIN+3++7612345001159:SRV'

DESADV 4.3.0

Segments Layout

Group	SG10	Status:C	Max. occ.: 9999	CPS-SG11-SG17
Group	SG17	Status:C	Max. occ.: 9999	LIN-PIA-IMD-QTY-SG18-SG22-SG25
Segment	PIA	No.: 21 Status:C	Level: 3 Max. occ.: 10	Additional product id

Description Additional product id

Description of Segment:

	Description	St Format	*	Example	Remarks
4347	Product identifier code qualifier	M an..3	*	+5	1 = Additional identification 4 = Substituted for 5 = Product identification
C212	Item number identification	M			
7140	Item identifier	R an..35		+220995 3C001L	
7143	Item type identification code	R an..3	*	:IN'	GB = Buyer's internal product group code IN = Buyer's item number SRV = EAN.UCC Global Trade Item Number SUE = GS1 Global Returnable Asset Identifier, non serialised (GS1 Code) AT = Price look up number * Code AT is used to submit the marked retail price on the product. The use of this code must be bilaterally agreed.

Description:

This segment is used to identify additional product codes for the current line item. Within the VMI process the buyer is not allowed to ask for his specific identification of the product.

Example:

PIA+1+ABF5682:GB'

In this example the PIA segment is used to provide an additional identification to the trade item number provided in the LIN segment. The GTIN 5412345123453 provided in the LIN segment refers to the internal buyer's part number ABF5682.

PIA+1+5412345123095:SRV'

In this example the GTIN of the consumer unit is provided.

PIA+4+5412345123095:SRV'

In this example the PIA segment is used to provide the GTIN of the product which has been substituted by the former primary GTIN . The new EAN or UCC article 541234511184 would be included in the message

DESADV 4.3.0

Segments Layout

in the LIN segment.

PIA+5+2209953C001L:IN'

This example details the code 2209953C001L which is the buyers product identification.

DESADV 4.3.0

Segments Layout

Group	SG10	Status:C	Max. occ.: 9999	CPS-SG11-SG17
Group	SG17	Status:C	Max. occ.: 9999	LIN-PIA-IMD-QTY-SG18-SG22-SG25
Segment	IMD	No.: 22 Status:C	Level: 3 Max. occ.: 25	Item description

Description Item description

Description of Segment:

	Description	St Format	*	Example	Remarks
7077	Description format code	R an..3	*	+F	C = Code (from industry code list) F = Free-form
C272	Item characteristic	N			
7081	Item characteristic code	N an..3	+		
C273	Item description	C			
7009	Item description code	O an..17	*	+CU	CU = Consumer unit (EAN Code) DU = Despatch unit (EAN Code) TU = Traded unit (EAN Code) VQ = Variable quantity product (EAN Code)
1131	Code list identification code	C an..17	:	:	
3055	Code list responsible agency code	D an..3	*	:9	9 = EAN (International Article Numbering association)
7008	Item description	O an..25		:Corn Crispies	
7008	Item description	O an..25		:250 gr'	

Description:

This segment is used to describe the current line item.

It is recommended to use this segment only for coded descriptions. Data element 7008 in clear text should only be used when no product code is available or when free-form descriptions are required by trading partners.

Example:

IMD+C++TU::9'

IMD+F++:::Corn Crispies:250 gr'

DESADV 4.3.0

Segments Layout

Group	SG10	Status:C	Max. occ.: 9999	CPS-SG11-SG17
Group	SG17	Status:C	Max. occ.: 9999	LIN-PIA-IMD-QTY-SG18-SG22-SG25
Segment	QTY	No.: 23 Status:C	Level: 3 Max. occ.: 10	Quantity

Description Quantity

Description of Segment:

	Description	St Format	*	Example	Remarks
C186	Quantity details	M			
6063	Quantity type code qualifier	M an..3	*	+12	12 = Despatch quantity 59 = Number of consumer units in the traded unit 61 = Return quantity 192 = Free goods quantity 193 = Free quantity included
6060	Quantity	M an..35		:1	
6411	Measurement unit code	D an..3	*	:KGM'	KGM = kilogram LTR = litre MTR = metre D:This DE is only used if the product being identified is of variable quantity.

Description:

This segment is used to specify the quantity of the product identified in the LIN segment which is about to be, or, has been despatched.

Non-deliveries

 GS1 prefers to inform the buyer about non-deliveries to use the order-response ORDRSP. DESADV cannot replace ORDRSP.

If there is a need to submit non-deliveries in DESADV anyhow, so please stick to the following rules (eBusiness Fachbeirat, 27.7.2005):

Non-deliveries must be transmitted first (LIN+1 - LIN+??)

This information will be stated in every which is related to the orders, even if the delivery is carried on several trucks (1 orders = 2 deliveries = 2 DESADV). If there are several deliveries for one order the non-delivery items can either be submitted on one or all DESADV.

If there is a non-delivery of a complete order this must be cancelled by non-electronic processes. (in case of non-use of ORDRSP).

Example:

DESADV 4.3.0

Segments Layout

QTY+12:400'

Non-delivery / Complete:

LIN+1++7612345001005:SRV'

QTY+12:0'

QVR+-75:21+CP'

Non-delivery / short shipment

LIN+2++7612345000800:SRV'

QTY+12:0'

QVR+-50:21+BP'

DTM+X13:20060312100000:204'

LIN+3++7612345001159:SRV'

DESADV 4.3.0

Segments Layout

Group	SG10	Status:C	Max. occ.: 9999	CPS-SG11-SG17
Group	SG17	Status:C	Max. occ.: 9999	LIN-PIA-IMD-QTY-SG18-SG22-SG25
Group	SG18	Status:C	Max. occ.: 99	RFF
Segment	RFF	No.: 24 Status:M	Level: 3 Max. occ.: 1	Reference

Description Reference

Description of Segment:

	Description	St Format	*	Example	Remarks
C506	Reference	M			
1153	Reference code qualifier	M an..3	*	+ON	AAJ = Delivery order number AAK = Despatch advice number LI = Line item reference number ON = Order number (buyer) PD = Promotion deal number POR = Purchase order response number Qualifier LI refers to the related detail order line of the ORDERS message. The order-number must be submitted in the header of the message with the qualifier ON (VN). (see example): AAK can be used for return-deliveries.
1154	Reference identifier	R an..70		: CT0515 23	
1156	Document line identifier	O an..6		:123'	

Description:

This segment is used to specify any references which are for the line item only.

Example:

RFF+ON:CT051523:123' (RFF of header section)

RFF+LI:123' (RFF of detail section)

DESADV 4.3.0

Segments Layout

Group	SG10	Status:C	Max. occ.: 9999	CPS-SG11-SG17
Group	SG17	Status:C	Max. occ.: 9999	LIN-PIA-IMD-QTY-SG18-SG22-SG25
Group	SG22	Status:C	Max. occ.: 9999	PCI-DTM-QTY-SG23
Segment	PCI	No.: 25 Status:M	Level: 3 Max. occ.: 1	Package identification

Description Package identification

Description of Segment:

	Description	St Format	*	Example	Remarks
4233	Marking instructions code	O an..3	*	+10	10 = Mark batch number 17 = Supplier's instructions 41G = Marked with GS1 Global Returnable Asset Identifier (GS1 Code)
C210	Marks & labels	O			
7102	Shipping marks description	M an..35		+12345'	

Description:

This segment is used to provide markings and labels information relevant to the product identified in the LIN segment.

If the date is machine readable, the DTM segment below should be used. If the date is human readable DE 7102 in this segment should be used.

Example:

PCI+10+12345'

DESADV 4.3.0

Segments Layout

Group	SG10	Status:C	Max. occ.: 9999	CPS-SG11-SG17
Group	SG17	Status:C	Max. occ.: 9999	LIN-PIA-IMD-QTY-SG18-SG22-SG25
Group	SG22	Status:C	Max. occ.: 9999	PCI-DTM-QTY-SG23
Segment	DTM	No.: 26 Status:C	Level: 4 Max. occ.: 5	Date/time/period

Description Date/time/period

Description of Segment:

	Description	St Format	*	Example	Remarks
C507	Date/time/period	M			
2005	Date or time or period function code qualifier	M an..3	*	+360	94 = Production/manufacture date 360 = Sell by date 361 = Best before date Code 360 may only be used if there are to data-stamps on the product (only freshfood).
2380	Date or time or period value	R an..35		: 2006101 7000000	
2379	Date or time or period format code	R an..3	*	:204'	204 = CCYYMMDDHHMMSS

Description:

This segment is used to provide pertinent date and time details relating to the PCI segment.

Example:

DTM+360:20061017000000:204'

DESADV 4.3.0

Segments Layout

Group	SG10	Status:C	Max. occ.: 9999	CPS-SG11-SG17
Group	SG17	Status:C	Max. occ.: 9999	LIN-PIA-IMD-QTY-SG18-SG22-SG25
Group	SG22	Status:C	Max. occ.: 9999	PCI-DTM-QTY-SG23
Segment	QTY	No.: 27 Status:C	Level: 4 Max. occ.: 1	Quantity

Description Quantity

Description of Segment:

	Description	St Format	*	Example	Remarks
C186	Quantity details	M			
6063	Quantity type code qualifier	M an..3	*	+12	12 = Despatch quantity 21 = Ordered quantity 192 = Free goods quantity 193 = Free quantity included
6060	Quantity	M an..35		:15	
6411	Measurement unit code	D an..3	*	:KGM'	KGM = kilogram LTR = litre MTR = metre D:This DE is only used if the product being identified is of variable quantity.

Description:

This segment is used to define quantities contained relevant to the PCI segment.

Example:

QTY+12:15:KGM'

DESADV 4.3.0

Segments Layout

Group	SG10	Status:C	Max. occ.: 9999	CPS-SG11-SG17
Group	SG17	Status:C	Max. occ.: 9999	LIN-PIA-IMD-QTY-SG18-SG22-SG25
Group	SG22	Status:C	Max. occ.: 9999	PCI-DTM-QTY-SG23
Group	SG23	Status:C	Max. occ.: 10	GIN
Segment	GIN	No.: 28 Status:M	Level: 4 Max. occ.: 1	Goods identity number

Description Goods identity number

Description of Segment:

	Description	St Format	*	Example	Remarks
7405	Object identification code qualifier	M an..3	*	+BX	BX = Batch number DB = GS1 Global Returnable Asset Identifier, with serial number
C208	Identity number range	M			
7402	Object identifier	M an..35		+Charge 4712	
C208	Identity number range	C			
7402	Object identifier	M an..35		+X	
C208	Identity number range	C			
7402	Object identifier	M an..35		+X	
C208	Identity number range	C			
7402	Object identifier	M an..35		+X'	

Description:

This segment is used to provide identification numbers relevant to the packaging of the current line item.

Example:

GIN+BX+Charge 4712'

DESADV 4.3.0

Segments Layout

Group	SG10	Status:C	Max. occ.: 9999	CPS-SG11-SG17
Group	SG17	Status:C	Max. occ.: 9999	LIN-PIA-IMD-QTY-SG18-SG22-SG25
Group	SG25	Status:C	Max. occ.: 10	QVR-DTM
Segment	QVR	No.: 29 Status:M	Level: 3 Max. occ.: 1	Quantity variances

Description Quantity variances

Description of Segment:

	Description	St Format	*	Example	Remarks
C279	Quantity difference information	R			
6064	Quantity variance value	M n..15		+12	Specify the actual variance amount here.
6063	Quantity type code qualifier	R an..3	*	:21	21 = Ordered quantity
4221	Discrepancy nature identification code	O an..3	*	+BP	AC = Over-shipped BP = Shipment partial - back order to follow CP = Shipment partial - considered complete, no backorder CP = Bestellung abgeschlossen, Kunde muss dann neu bestellen. Liefermenge geringer als bestellt. Mengenabweichungen beziehen sich immer auf die Gesamtbestellung und auf die Gesamtmengen im DESADV. CP = Order closed. Buyer has to re-order. Short shipment. Quantity variance value is related to the total order quantity.
C960	Reason for change	O			
4295	Change reason description code	C an..3		+WR	AV = Out of inventory WR = Temporarily unavailable All codes of codeliste 4295 may be used
1131	Code list identification code	N an..17		:	
3055	Code list responsible agency code	D an..3	*	:9	9 = EAN (International Article Numbering association)
4294	Change reason description	O an..35		:1'	

Description:

This segment is used to specify any variances between what was ordered and what is ready for or has

DESADV 4.3.0

Segments Layout

been despatched.

The quantity identified in DE 6064 must always refer to the difference between the despatched quantity identified in DE 6060 of QTY at LIN level and the ordered quantity. For negative values (e.g. damaged goods not accepted) the variance must be expressed as negative.

Example:

QVR+-50:21'

The QTY at line level identified the fact that 450 units were ordered and that 400 were being despatched, so therefore the quantity variance is 50 units.

DESADV 4.3.0

Segments Layout

Group	SG10	Status:C	Max. occ.: 9999	CPS-SG11-SG17
Group	SG17	Status:C	Max. occ.: 9999	LIN-PIA-IMD-QTY-SG18-SG22-SG25
Group	SG25	Status:C	Max. occ.: 10	QVR-DTM
Segment	DTM	No.: 30 Status:C	Level: 4 Max. occ.: 5	Date/time/period

Description Date/time/period

Description of Segment:

	Description	St Format	*	Example	Remarks
C507	Date/time/period	M			
2005	Date or time or period function code qualifier	M an..3	*	+X13	X13 = Expect to ship by (EAN Code)
2380	Date or time or period value	R an..35		: 2006031 2100000	
2379	Date or time or period format code	R an..3	*	:204'	204 = CCYYMMDDHHMMSS

Description:

This segment is used to specify dates relevant to the quantity variance specified in the preceding QVR segment.

Example:

DTM+X13:20060312100000:204'

DESADV 4.3.0

Segments Layout

Segment **CNT** No.: 31 Level: 1 Control total
 Status: C Max. occ.: 5

Description Control total

Description of Segment:

	Description	St Format	*	Example	Remarks
C270	Control	M			
6069	Control total type code qualifier	M an..3	*	+2	2 = Number of line items in message
6066	Control total value	M n..18		:32'	

Description:

This segment is used to provide message control information for checking on the message receiver's in-house system.

Example:

CNT+2:12'

DESADV 4.3.0

Segments Layout

Segment **UNT** No.: 32 Level: 0 **Message trailer**
 Status: M Max. occ.: 1

Description Message trailer

Description of Segment:

	Description	St Format	*	Example	Remarks
0074	Number of segments in the message	M n..6		+31	The total number of segments in the message is detailed here.
0062	Message reference number	M an..14		+123700 1'	The message reference numbered detailed here should equal the one specified in the UNH segment.

Description:

This segment is a mandatory UN/EDIFACT segment. It must always be the last segment in the message.

Example:

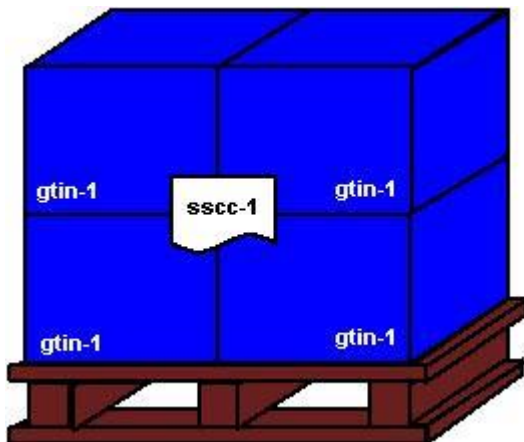
UNT+27+1237001'

DESADV 4.3.0

incl. bilateral agreements

Examples

Homogeneous content, label on pallet

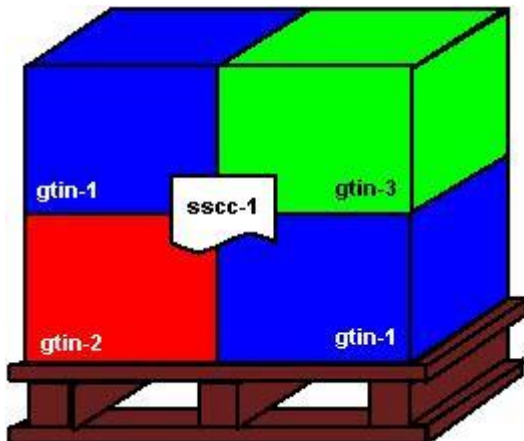


CPS+1'	First (highest) consignment level
PAC+1+++PX'	Current consignment level consists of 1 pallet
CPS+2+1'	Second CPS; parent = shipment
PAC+1+++PX'	Current consignment level consists of 1 pallet
PCI+33E'	Packaging marked with SSCC
GIN+BJ+<SSCC-1>'	Packaging [pallet] identified with SSCC
CPS+3+2'	Third CPS; parent = CPS+2 [pallet] **
PAC+4+++PK'	Current consignment level consists of 4 packages **
LIN+1+++<GTIN-1>:SRV'	The current (first) line item [standard package] is identified by GTIN
QTY+12:4'	Despatch quantity = 4 [packages]

**** these segments may be skipped**

Examples

Heterogeneous content, label on pallet



CPS+1'	First (highest) consignment level
PAC+1++PX'	Current consignment level [shipment] consists of 1 pallet
CPS+2+1'	Second CPS; parent = shipment
PAC+1++PX'	Current consignment level [outer packaging] consists of 1 pallet
PCI+33E'	Packaging marked with SSCC
GIN+BJ+<SSCC-1>'	Packaging [pallet] identified by SSCC <SSCC-1>
CPS+3+2'	Third CPS; parent = CPS+2 [pallet]
PAC+4++PK'	Current consignment level consists of 4 packages
LIN+1++<GTIN-1>:SRV'	Current (first) line item [standard package] is identified by GTIN <GTIN-1>
QTY+12:2'	Despatch quantity = 2 [packages]
LIN+2++<GTIN-2>:SRV'	Current (second) line item [standard package] is identified by GTIN <GTIN-2>
QTY+12:1'	Despatch quantity = 1 [package]
LIN+3++<GTIN-3>:SRV'	Current (third) line item [standard package] is identified by GTIN <GTIN-3>
QTY+12:1'	Despatch quantity = 1 [package]

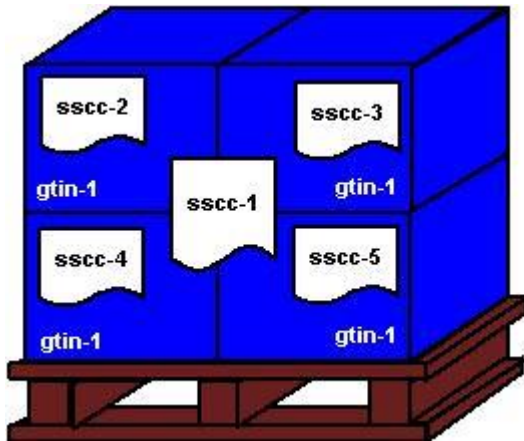
DESADV 4.3.0

**incl. bilateral
agreements**

Examples

Examples

Homogeneous content, labels on pallet and cases



CPS+1'	First (highest) consignment level
PAC+1+++PX'	Current consignment level [shipment] consists of 1 pallet
CPS+2+1'	Second CPS; parent = shipment
PAC+1+++PX'	Current consignment level [outer packaging] consists of 1 pallet
PCI+33E'	Packaging marked with SSCC
GIN+BJ+<SSCC-1>'	Packaging [pallet] identified by SSCC <SSCC-1>
CPS+3+2'	Third CPS; parent = CPS+2 [pallet]
PAC+1+++CT'	Current consignment level consists of 1 carton
PCI+33E'	Packaging marked with SSCC
GIN+BJ+<SSCC-2>'	Packaging [carton] identified by SSCC <SSCC-2>
LIN+1+++<GTIN-1>:SRV'	Current (first) line item [standard package] is identified by GTIN <GTIN-1>
QTY+12:1'	Despatch quantity = 1 [carton]
CPS+4+2'	Fourth CPS; parent = CPS+2 [pallet]
PAC+1+++CT'	Current consignment level consists of 1 carton
PCI+33E'	Packaging marked with SSCC
GIN+BJ+<SSCC-3>'	Packaging [carton] identified by SSCC <SSCC-3>
LIN+2+++<GTIN-3>:SRV'	Current (second) line item [standard package] is identified by GTIN <GTIN-1>
QTY+12:1'	Despatch quantity = 1 [carton]
CPS+5+2'	Fifth CPS; parent = CPS+2 [pallet]
PAC+1+++CT'	Current consignment level consists of 1 carton
PCI+33E'	Packaging marked with SSCC
GIN+BJ+<SSCC-4>'	Packaging [carton] identified by SSCC <SSCC-4>
LIN+3+++<GTIN-2>:SRV'	Current (third) line item [standard package] is identified by GTIN <GTIN-1>
QTY+12:1'	Despatch quantity = 1 [carton]
CPS+6+2'	Sixth CPS; parent = CPS+2 [pallet]
PAC+1+++CT'	Current consignment level consists of 1 carton
PCI+33E'	Packaging marked with SSCC
GIN+BJ+<SSCC-5>'	Packaging [carton] identified by SSCC <SSCC-5>
LIN+4+++<GTIN-1>:SRV'	Current (fourth) line item [standard package] is identified by GTIN <GTIN-1>
QTY+12:1'	Despatch quantity = 1 [carton]

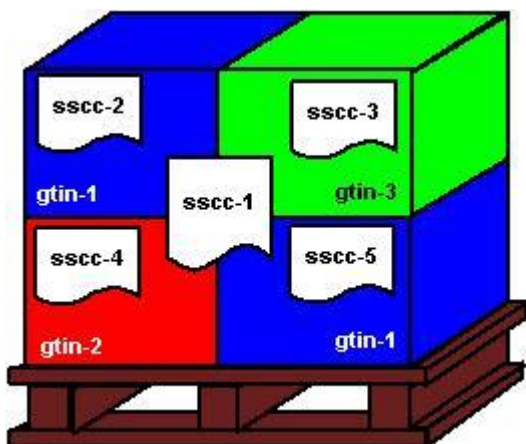
DESADV 4.3.0

**incl. bilateral
agreements**

Examples

Examples

Heterogeneous content, labels on pallet and cases



CPS+1'	First (highest) consignment level
PAC+1++PX'	Current consignment level [shipment] consists of 1 pallet
CPS+2+1'	Second CPS; parent = shipment
PAC+1++PX'	Current consignment level [outer packaging] consists of 1 pallet
PCI+33E'	Packaging marked with SSCC
GIN+BJ+<SSCC-1>'	Packaging [pallet] identified by SSCC <SSCC-1>
CPS+3+2'	Third CPS; parent = CPS+2 [pallet]
PAC+1++CT'	Current consignment level consists of 1 carton
PCI+33E'	Packaging marked with SSCC
GIN+BJ+<SSCC-2>'	Packaging [carton] identified by SSCC <SSCC-2>
LIN+1++<GTIN-1>:SRV'	Current (first) line item [standard package] is identified by GTIN <GTIN-1>
QTY+12:1'	Despatch quantity = 1 [carton]
CPS+4+2'	Fourth CPS; parent = CPS+2 [pallet]
PAC+1++CT'	Current consignment level consists of 1 carton
PCI+33E'	Packaging marked with SSCC
GIN+BJ+<SSCC-3>'	Packaging [carton] identified by SSCC <SSCC-3>
LIN+2++<GTIN-3>:SRV'	Current (second) line item [standard package] is identified by GTIN <GTIN-3>
QTY+12:1'	Despatch quantity = 1 [carton]
CPS+5+2'	Fifth CPS; parent = CPS+2 [pallet]
PAC+1++CT'	Current consignment level consists of 1 carton
PCI+33E'	Packaging marked with SSCC
GIN+BJ+<SSCC-4>'	Packaging [carton] identified by SSCC <SSCC-4>
LIN+3++<GTIN-2>:SRV'	Current (third) line item [standard package] is identified by GTIN <GTIN-2>
QTY+12:1'	Despatch quantity = 1 [carton]
CPS+6+2'	Sixth CPS; parent = CPS+2 [pallet]
PAC+1++CT'	Current consignment level consists of 1 carton
PCI+33E'	Packaging marked with SSCC
GIN+BJ+<SSCC-5>'	Packaging [carton] identified by SSCC <SSCC-5>
LIN+4++<GTIN-1>:SRV'	Current (fourth) line item [standard package] is identified by GTIN <GTIN-1>
QTY+12:1'	Despatch quantity = 1 [carton]

DESADV 4.3.0

**incl. bilateral
agreements**

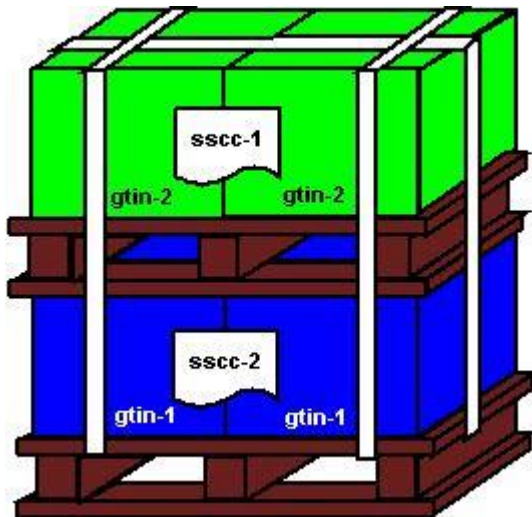
Examples

DESADV 4.3.0

incl. bilateral agreements

Examples

Homogeneous content, sandwich pallet



CPS+1'	First (highest) consignment level
PAC+1+++X11::9'	Current consignment level [shipment] consists of 1 bandaged package
CPS+2+1'	Second CPS; parent = shipment
PAC+1+++X11::9'	Current consignment level [outer packaging] consists of 1 bandaged package
MEA+PD++PF:2'	Physical dimensions of current packaging: 2 [stacked] pallets
PCI+33E'	Packaging marked with SSCC
GIN+BJ+<SSCC-1>'	Packaging [bandaged pallet] identified by SSCC <SSCC-1>
CPS+3+2'	Third CPS; parent = CPS+2 [bandaged pallet]
PAC+1+++PX'	Current consignment level consists of 1 pallet
PCI+33E'	Packaging marked with SSCC
GIN+BJ+<SSCC-2>'	Packaging [upper pallet] identified by SSCC <SSCC-2>
CPS+4+3'	Fourth CPS; parent = CPS+3 [upper pallet]
PAC+2+++CT'	Current consignment level consists of 2 cartons
LIN+1+++<GTIN-3>:SRV'	Current (first) line item [standard carton] is identified by GTIN <GTIN-3>
QTY+12:1'	Despatch quantity = 1 [carton]
LIN+2+++<GTIN-1>:SRV'	Current (second) line item [standard carton] is identified by GTIN <GTIN-1>
QTY+12:1'	Despatch quantity = 1 [carton]
CPS+5+2'	Fifth CPS; parent = CPS+2 [bandaged pallet]
PAC+1+++PX'	Current consignment level consists of 1 pallet
PCI+33E'	Packaging marked with SSCC
GIN+BJ+<SSCC-3>'	Packaging [lower pallet] identified by SSCC <SSCC-3>
CPS+6+5'	Sixth CPS; parent = CPS+5 [lower pallet]
PAC+2+++CT'	Current consignment level consists of 2 cartons
LIN+3+++<GTIN-1>:SRV'	Current (third) line item [standard carton] is identified by GTIN <GTIN-1>
QTY+12:1'	Despatch quantity = 1 [carton]
LIN+4+++<GTIN-2>:SRV'	The current (fourth) line item [standard carton] is identified by GTIN <GTIN-2>
QTY+12:1'	Despatch quantity = 1 [carton]

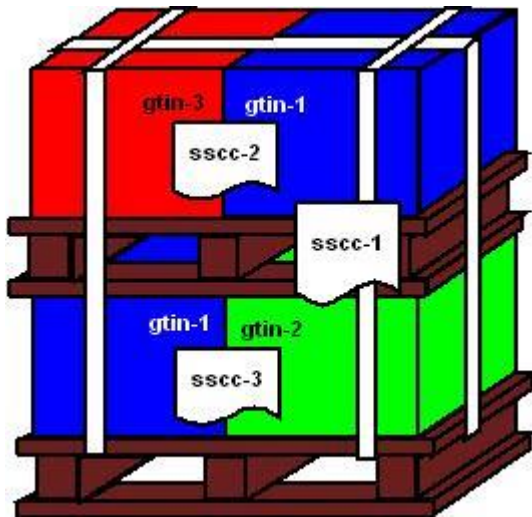
DESADV 4.3.0

**incl. bilateral
agreements**

Examples

Examples

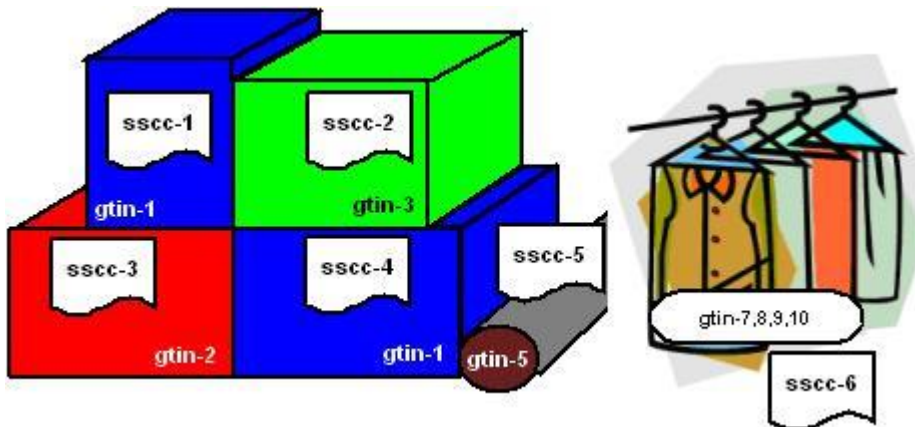
Heterogeneous content, sandwich pallet with “master” label



CPS+1'	First (highest) consignment level
PAC+1+++X11::9'	Current consignment level [shipment] consists of 1 bandaged package
CPS+2+1'	Second CPS; parent = shipment
PAC+1+++X11::9'	Current consignment level [outer packaging] consists of 1 bandaged package
MEA+PD++PF:2'	Physical dimensions of current packaging: 2 [stacked] pallets
CPS+3+2'	Third CPS; parent = CPS+2 [bandaged pallet]
PAC+1+++PX'	Current consignment level consists of 1 pallet
PCI+33E'	Packaging marked with SSCC
GIN+BJ+<SSCC-1>'	Packaging [upper pallet] identified by SSCC <SSCC-1>
CPS+4+3'	Fourth CPS; parent = CPS+3 [upper pallet]
PAC+2+++CT'	Current consignment level consists of 2 cartons
LIN+1+++<GTIN-2>:SRV'	Current (first) line item [standard carton] is identified by GTIN <GTIN-2>
QTY+12:2'	Despatch quantity = 2 [cartons]
CPS+5+2'	Fifth CPS; parent = CPS+2 [bandaged pallet]
PAC+1+++PX'	Current consignment level consists of 1 pallet
PCI+33E'	Packaging marked with SSCC
GIN+BJ+<SSCC-2>'	Packaging [lower pallet] identified by SSCC <SSCC-2>
CPS+6+5'	Sixth CPS; parent = CPS+5 [lower pallet]
PAC+2+++CT'	Current consignment level consists of 2 cartons
LIN+2+++<GTIN-1>:SRV'	Current (second) line item [standard carton] is identified by GTIN <GTIN-1>
QTY+12:2'	Despatch quantity = 2 [cartons]

Examples

Separate items



CPS+1'	First ("dummy") CPS
PAC+4++CT'	Current consignment level [shipment] consists of 4 cartons
PAC+1++RO'	Current consignment level [shipment] consists of 1 roll [carpet]
PAC+1++RJ'	Current consignment level [shipment] consists of 1 rack
CPS+2+1'	Second CPS; parent = shipment
PAC+1++CT'	Current consignment level consists of 1 carton
PCI+33E'	Packaging marked with SSCC
GIN+BJ+<SSCC-1>'	Packaging [carton] identified by SSCC <SSCC-1>
LIN+1++<GTIN-1>:SRV'	Current (first) line item [standard carton] is identified by GTIN <GTIN-1>
QTY+12:1'	Despatch quantity = 1 [carton]
CPS+3+1'	Third CPS; parent = shipment
PAC+1++CT'	Current consignment level consists of 1 carton
PCI+33E'	Packaging marked with SSCC
GIN+BJ+<SSCC-2>'	Packaging [carton] identified by SSCC <SSCC-2>
LIN+2++<GTIN-3>:SRV'	Current (second) line item [standard carton] is identified by GTIN <GTIN-3>
QTY+12:1'	Despatch quantity = 1 [carton]
CPS+4+1'	4th CPS; parent = shipment
PAC+1++CT'	Current consignment level consists of 1 carton
PCI+33E'	Packaging marked with SSCC
GIN+BJ+<SSCC-3>'	Packaging [carton] identified by SSCC <SSCC-3>
LIN+3++<GTIN-2>:SRV'	Current (third) line item [standard carton] is identified by GTIN <GTIN-2>
QTY+12:1'	Despatch quantity = 1 [carton]
CPS+5+1'	5th CPS; parent = shipment
PAC+1++CT'	Current consignment level consists of 1 carton
PCI+33E'	Packaging marked with SSCC
GIN+BJ+<SSCC-4>'	Packaging [carton] identified by SSCC <SSCC-4>
LIN+4++<GTIN-1>:SRV'	Current (4th) line item [standard carton] is identified by GTIN <GTIN-1>
QTY+12:1'	Despatch quantity = 1 [carton]
CPS+6+1'	6th CPS; parent = shipment
PAC+1++RO'	Current consignment level consists of 1 roll [carpet]
PCI+33E'	Packaging marked with SSCC
GIN+BJ+<SSCC-5>'	Packaging [roll] identified by SSCC <SSCC-5>
LIN+5++<GTIN-5>:SRV'	Current (5th) line item [roll] is identified by GTIN <GTIN-5>
QTY+12:1'	Despatch quantity = 1 [roll]

DESADV 4.3.0

incl. bilateral
agreements

Examples

CPS+7+1'	7th CPS; parent = shipment
PAC+1+++RJ'	Despatch quantity = 1 [rack]
PCI+33E'	Packaging marked with SSCC
GIN+BJ+<SSCC-6>'	Packaging [rack] identified by SSCC <SSCC-6>
LIN+6+++<GTIN-7>:SRV'	Current (6th) line item [standard vest] is identified by GTIN <GTIN-7>
QTY+12:1'	Despatch quantity = 1 [vest, on rack]
LIN+7+++<GTIN-8>:SRV'	Current (7th) line item [standard trousers] is identified by GTIN <GTIN-8>
QTY+12:1'	Despatch quantity = 1 [trousers, on rack]
LIN+8+++<GTIN-9>:SRV'	Current (8th) line item [standard trousers] is identified by GTIN <GTIN-9>
QTY+12:1'	Despatch quantity = 1 [trousers, on rack]
LIN+9+++<GTIN-10>:SRV'	Current (9th) line item [standard trousers] is identified by GTIN <GTIN-10>
QTY+12:1'	Despatch quantity = 1 [trousers, on rack]

DESADV 4.3.0

incl. bilateral agreements

Examples

Delivery discrepancies

The following cases of delivery discrepancies can be handled within this DESADV:

	complete	Over delivery	Short shipment	Non-delivery
Regular delivery	x	x	x	x
Split delivery *	x	x	x	
Partial delivery	x	x	x	

* Several vehicles on one day

** Several deliveries on several days

Case	Example DESADV
Regular delivery / Complete Quantity ordered 100 Quantity delivered 100 Discrepancy 0	LIN+1++7612345001159' QTY+12:100' Quantity delivered 100
Regular delivery / Over delivery Quantity ordered 100 Quantity delivered 120 Discrepancy 20	LIN+1++7612345001159' QTY+12:120' Quantity delivered 120 QVR+20:21+AC' C279 conditional: QVR++AC' *
Regular delivery / Short shipment Quantity ordered 100 Quantity delivered 85 Discrepancy 15	LIN+1++7612345001159' QTY+12:85' Quantity delivered 85 QVR+-15:21+CP' C279 conditional: QVR++CP' *
Non-delivery Quantity ordered 100 Quantity delivered 0 Discrepancy 100	LIN+1++7612345001159' QTY+12:0' Quantity delivered 0 QVR+-100:21+CP' C279 conditional: QVR++CP'
Split delivery / Complete Quantity ordered 100 1. Quantity delivered 60 2. Quantity delivered 40 Discrepancy 0	LIN+1++7612345001159' QTY+12:60' Quantity delivered 60 / No QVR needed !! LIN+1++7612345001159' QTY+12:40' Quantity delivered 40 / No QVR needed !!
Split delivery / Over delivery Quantity ordered 100 1. Quantity delivered / Tag 1 60 2. Quantity delivered / Tag 1 50 Discrepancy 10	LIN+1++7612345001159' QTY+12:60' Quantity delivered 60 / No QVR needed !! LIN+1++7612345001159' QTY+12:50' Quantity delivered 50 QVR+10:21+AC' C279 conditional: QVR++AC' *

DESADV 4.3.0

incl. bilateral agreements

Examples

Split delivery / Short shipment		
Quantity ordered	100	LIN+1++7612345001159'
1. Quantity delivered / Tag 1	60	QTY+12:60' Quantity delivered 60 Kein QVR nötig!!
2. Quantity delivered / Tag 1	25	LIN+1++7612345001159' QTY+12:25' Quantity delivered 25
Discrepancy	15	QVR+-15:21+CP' C279 conditional: QVR++CP' *
Partial delivery / Complete		
Quantity ordered	100	LIN+1++7612345001159'
1. Quantity delivered	60	QTY+12:60' Quantity delivered 60 QVR+-40:21+BP' C279 conditional: QVR++BP' *
2. Quantity delivered	40	DTM+X13:20060312100000:204' DTM conditional LIN+1++7612345001159'
Discrepancy	0	QTY+12:40' Quantity delivered 40' / No QVR needed !!
Partial delivery / Over delivery		
Quantity ordered	100	LIN+1++7612345001159'
1. Quantity delivered / Tag 1	60	QTY+12:60' Quantity delivered 60 QVR+-40:21+BP' C279 conditional: QVR++BP' *
2. Quantity delivered / Tag 2	50	DTM+X13:20060312100000:204' DTM conditional LIN+1++7612345001159'
Discrepancy	10	QTY+12:50' Quantity delivered 50' QVR+10:21+AC' C279 conditional: QVR++AC' *
Partial delivery / Short shipment		
Quantity ordered	100	LIN+1++7612345001159'
1. Quantity delivered / Tag 1	60	QTY+12:60' Quantity delivered 60 QVR+-40:21+BP' C279 conditional: QVR++BP' *
2. Quantity delivered / Tag 2	25	DTM+X13:20060312100000:204' DTM conditional LIN+1++7612345001159'
Discrepancy	15	QTY+12:25' Quantity delivered 25' QVR+-15:21+CP' C279 conditional: QVR++CP' *

DESADV 4.3.0 incl. bilateral agreements

List of changes

No.	Description	Segments and elements			
01	29.01.2009: Publication version 4.0.0	1	UNH		
02	24.07.2009: Several translations. Publication version 4.0.1	1	UNH		
03	31.07.2009: insertion of LOC segment (CR 08-003)	9	LOC		
			SG2#1		
04	06.08.2009: Example inserted (CR 09-001) - Publication 4.0.2	21	PIA		
			SG10#1\SG17#1		
05	01.12.2011: Several minor changes on examples. Publication version 4.0.3	1	UNH		
06	17.07.2013: Publication version 4.1.0	1	UNH		
07	17.07.2013: 4.1.0: Qualifier SUE added (European RTI Guide)	21	PIA	C212	7143
			SG10#1\SG17#1		
08	17.08.2013: 4.1.0: Qualifier 41G added (European RTI Guide)	25	PCI		4233
			SG10#1\SG17#1\SG22#1		
09	17.07.2013: 4.1.0: Qualifier DB added (European RTI Guide)	28	GIN		7405
			SG10#1\SG17#1\SG22#1\SG23#1		
10	17.07.2013: 4.1.0: SG C208.2.-C208.5 enabled (European RTI Guide)	28	GIN		7405
			SG10#1\SG17#1\SG22#1\SG23#1		
11	17.07.2013: 4.1.0: Qualifier DA+DB added (European RTI Guide)	19	GIN		7405
			SG10#1\SG11#1\SG13#1\SG15#1		
12	01.11.2016: Publication version 4.2.0	1	UNH		
13	01.11.2016: Qualifiers LSP + WH added (WR 16-004)	8	NAD		3035
			SG2#1		
14	01.11.2016: Qualifier AAJ added (WR 16-006)	6	RFF	C506	1153
			SG1#1		
15	01.11.2016: Qualifier AAJ added (WR 16-006)	24	RFF	C506	1153
			SG10#1\SG17#1\SG18#1		
16	03.07.2018: Qualifier 164 added (WR 18-001)	5	ALI		4183

GS1 Schweiz ist
der Fachverband
für nachhaltige
Wertschöpfungs-
netzwerke.

GS1 Switzerland
Länggassstrasse 21
CH-3012 Bern
T +41 58 800 70 00
M info@gs1.ch
www.gs1.ch



Kompetenzplattform Ganzheitlich denken - Ressourcen schonen



Kompetenzvermittlung Wissen vermitteln - Kompetenz steigern



Kollaboration Zusammenarbeit fördern - Wertschöpfung verbessern



Standards Standards nutzen - Effizienz erhöhen



Nachhaltigkeit Ganzheitlich denken - Ressourcen schonen