

GS1 System

Ideal-Message INVRPT 4.2.0

06.04.2016

Based on EANCOM ® 2002

INVRPT 4.2.0

Documentation conventions

Format and pictures

as described in column "Format" of segment details

Character type:

a :alphabetic characters
n :numeric characters
an :alpha-numeric characters

Size:

Fixed : all positions must be used
Variable : positions may be used up to a specified maximum

Examples:

as described in column "St" of segment details

Status indicators

as described in column "St" of segment details

(R)equired

Indicates that the entity is required and must be sent. (This status is set by EANCOM®.)

(C)onditional

Indicates that the entity is conditional and may be sent at the discretion of the user.

(D)ependent

Indicates that the entity must be sent in certain conditions, as defined by the relevant explanatory note.

(N)ot used

Indicates that the entity is not used.

Restriction indicators

as described in column "R" of segment details

Restricted (*)

A data element marked with an asterisk (*) in the fourth column of the segment details of a message indicates that the listed codes in column five are the only codes available for use with the data element at the same level as the asterisk, in the current segment, in the current message.

Open

All data elements in which coded representation of data is possible, and in which a restricted set of code values is not indicated, are open. The available codes are listed in the Data Elements and Code Sets Directory (Part III of this manual). Code values may be given as examples or there may be a note on the format or type of code to be used.

INVRPT 4.2.0

Message description

This message is specifying information related to held inventories and planned or targeted inventories.

With the combination of INV and QTY segments in segmentgroup 11 the following informations can be transmitted. Attention: There must be always 1 INV / 1 QTY:

INV+++2'
QTY+145:12' Actual stock
QTY+191:5' Positive adjustment to inventory quantity
QTY+191:-5' Negative adjustment to inventory quantity
QTY+248:44' Reserved quantity
QTY+250:15' Inventory discrepancy
QTY+253:5' Control quantity
QTY+31E:12' Promotional stock
QTY+59:12' Number of consumer units in the traded unit
QTY+73:125' Outstanding quantity
QTY+82E:125' Outstanding promotion quantity

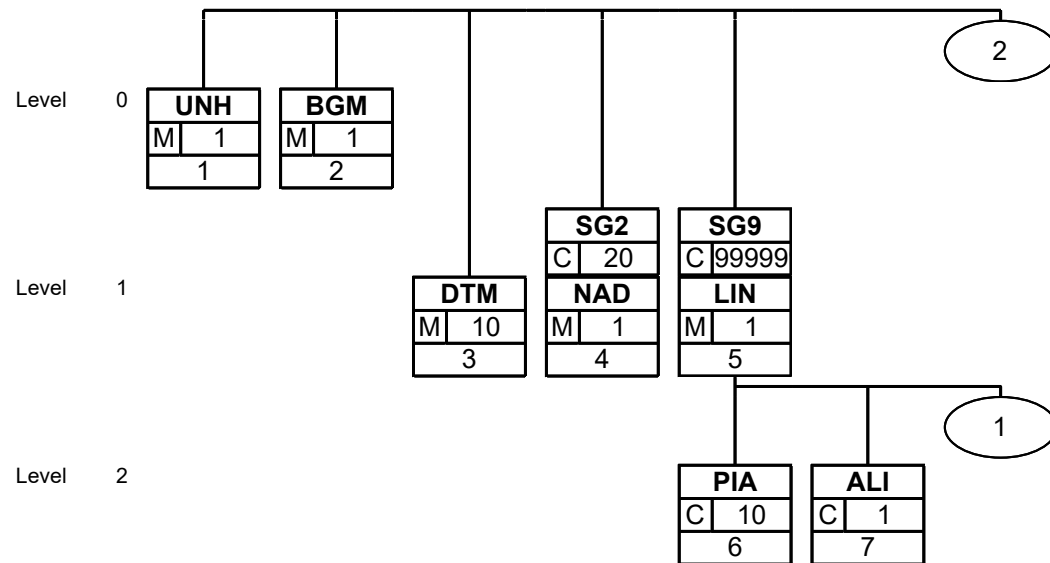
INV+1'
QTY+61:15' Return quantity
QTY+199:1' Withdrawal quantity
QTY+217:10' Out of inventory quantity
QTY+84E:1' Withdrawal promotion quantity
QTY+86E:10' Out of inventory promotion quantity

INV+2'
QTY+48:15' Received quantity
QTY+57:86' In transit quantity
QTY+85E:15' Received promotion quantity

ALI+++109'
INV+++2'
QTY+145:12' Actual stock (in possession of supplier)

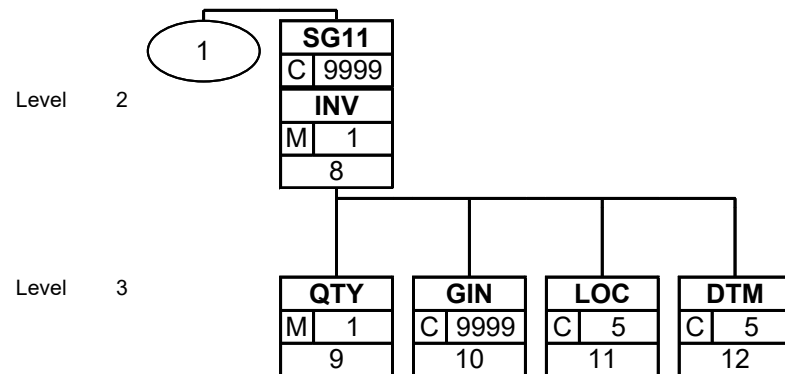
INVRPT 4.2.0

Branching diagram



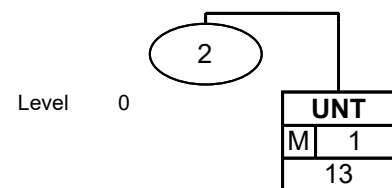
INVRPT 4.2.0

Branching diagram



INVRPT 4.2.0

Branching diagram



INVRPT 4.2.0

Segments Layout

Segment **UNH** No.: 1 Level: 0 Message header
 Status: M Max. occ.: 1

Description Message header

Description of Segment:

| | Description | St Format | * | Example | Remarks |
|------|---------------------------|-----------|---|----------|---|
| 0062 | Message reference number | M an..14 | | +100001 | Senders unique message reference. Sequence number of the messages in the interchange. DE 0062 in the UNT will be identical. Sender generated. |
| S009 | Message identifier | M | | | |
| 0065 | Message type | M an..6 | * | +INVRPT | INVRPT = Inventory report message |
| 0052 | Message version number | M an..3 | * | :D | D = Draft version/UN/EDIFACT Directory |
| 0054 | Message release number | M an..3 | * | :01B | 01B = Release 2001 - B |
| 0051 | Controlling agency | M an..2 | * | :UN | UN = UN/CEFACT |
| 0057 | Association assigned code | R an..6 | * | :EAN006' | |

Description:

This segment is used to head, identify and specify a message.

DE's 0065, 0052, 0054, and 0051: Indicate that the message is a UNSM Inventory Report based on the D.01B directory under the control of the United Nations.

Example:

UNH+100001+INVRPT:D:01B:UN:EAN006'

INVRPT 4.2.0

Segments Layout

Segment **BGM** No.: 2 Level: 0 Beginning of message
 Status: M Max. occ.: 1

Description Beginning of message

Description of Segment:

| | Description | St Format | * | Example | Remarks |
|------|---------------------------------|-----------|---|---------|--|
| C002 | Document/message name | R | | | |
| 1001 | Document name code | R an..3 | * | +35 | 35 = Inventory report |
| C106 | Document/message identification | R | | | |
| 1004 | Document identifier | R an..35 | | +21599 | Inventory Report number assigned by the document sender. |
| 1225 | Message function code | R an..3 | * | +9' | 9 = Original |

Description:

This segment is used to indicate the type and function of a message and to transmit the identifying number.

All references other than the document number DE 1004 are to be put in the RFF segment.

Example:

BGM+35+INVR21599+9'

INVRPT 4.2.0

Segments Layout

Segment **DTM** No.: 3 Level: 1 Date/time/period
 Status: M Max. occ.: 10

Description Date/time/period

Description of Segment:

| | Description | St Format | * | Example | Remarks |
|------|--|-----------|---|-------------------------|---|
| C507 | Date/time/period | M | | | |
| 2005 | Date or time or period function code qualifier | M an..3 | * | +137 | 90 = Report start date 91 = Report end date 137 = Document/message date/time 194 = Start date/time 206 = End date/time 366 = Inventory report date |
| 2380 | Date or time or period value | R an..35 | | : 2006040 1081300 | |
| 2379 | Date or time or period format code | R an..3 | | :204' | 204 = CCYYMMDDHHMMSS |

Description:

This segment is used to specify any dates relevant to the complete Inventory Report.
 DE 2005: Identification of the 'Document/message date/time' (code value 137) is mandatory in an EANCOM message.

Example:

DTM+137:20060401081300:204'

INVRPT 4.2.0

Segments Layout

Group **SG2** Status:C Max. occ.: 20 NAD

Segment **NAD** No.: 4 Level: 1 Name and address
Status:M Max. occ.: 1

Description Name and address

Description of Segment:

| | Description | St Format | * | Example | Remarks |
|------|--------------------------------------|-----------|---|--------------------|--|
| 3035 | Party function code qualifier | M an..3 | * | +BY | BY = Buyer GY = Inventory reporting party SU = Supplier |
| C082 | Party identification details | A | | | |
| 3039 | Party identifier | M an..35 | | +541234 5000013 | |
| 1131 | Code list identification code | C an..17 | | : | |
| 3055 | Code list responsible agency code | R an..3 | * | :9' | 9 = EAN (International Article Numbering association) |

Description:

This segment is used to identify the trading partners involved in the Inventory Report message. Identification of the parties exchanging the message is mandatory in EANCOM.

Example:

NAD+BY+5412345000013::9'

NAD+GY+5412345000020::9'

INVRPT 4.2.0

Segments Layout

Group **SG9** Status:C Max. occ.: 999999 LIN-PIA-ALI-SG11

Segment **LIN** No.: 5 Level: 1 Line item
 Status:M Max. occ.: 1

Description Line item

Description of Segment:

| | Description | St Format | * | Example | Remarks |
|------|--|-----------|---|--------------------|--|
| 1082 | Line item identifier | R an..6 | | +1 | Application generated number of the count of the item lines within the Inventory Report. |
| 1229 | Action request/notification description code | N an..3 | | + | |
| C212 | Item number identification | D | | | |
| 7140 | Item identifier | R an..35 | | +541234 5111115 | Format n..14 GTIN - this is the number of the article being reported. Remarks from industry side: GTIN of TU must be used. Only this number is unique! |
| 7143 | Item type identification code | R an..3 | * | :SRV' | SRV = EAN.UCC Global Trade Item Number |

Description:

This segment is used to identify a specific line item in the inventory report.

The detail section of the Inventory Report is formed by a repeating group of segments, always starting with the LIN segment.

Example:

LIN+1++5412345111115:SRV'

INVRPT 4.2.0

Segments Layout

Group **SG9** Status:C Max. occ.: 999999 LIN-PIA-ALI-SG11

Segment **PIA** No.: 6 Level: 2 Additional product id
Status:C Max. occ.: 10

Description Additional product id

Description of Segment:

| | Description | St Format | * | Example | Remarks |
|------|-----------------------------------|-----------|---|--------------|--|
| 4347 | Product identifier code qualifier | M an..3 | * | +1 | 1 = Additional identification |
| C212 | Item number identification | M | | | |
| 7140 | Item identifier | R an..35 | | +ABC53 43 | |
| 7143 | Item type identification code | R an..3 | * | :IN | IN = Buyer's item number GB = Buyer's internal product group code SRV = EAN.UCC Global Trade Item Number |
| 1131 | Code list identification code | N an..17 | | : | |
| 3055 | Code list responsible agency code | D an..3 | * | :92' | 9 = EAN (International Article Numbering association) 92 = Assigned by buyer or buyer's agent |

Description:

This segment is used to specify additional item identification codes such as a buyer's or supplier's item number.

Remarks from industry side: Due to the high automation level within a VMI relation, all articles must be marked with a GTN. Therefore the PIA segment should not be used.

Example:

PIA+1+ABC5343:IN'

INVRPT 4.2.0

Segments Layout

Group **SG9** Status:C Max. occ.: 999999 LIN-PIA-ALI-SG11

Segment **ALI** No.: 7 Level: 2 Additional information
 Status:C Max. occ.: 1

Description Additional information

Description of Segment:

| | Description | St Format | * | Example | Remarks |
|------|-----------------------------|-----------|---|---------|-----------------------------|
| 3239 | Country of origin name code | N an..3 | | + | |
| 9213 | Duty regime type code | N an..3 | | + | |
| 4183 | Special condition code | R an..3 | * | +109' | 109 = Sale or return |

Description:

This segment is used to specify any additional information related to the current line item.
 This segment is used to state that the stock of this article is in possession of the supplier.

Example:

ALI+++109'

INVRPT 4.2.0

Segments Layout

| | | | | |
|----------------|-------------|--------------------|--------------------------|--------------------------------------|
| <i>Group</i> | SG9 | Status:C | Max. occ.: 999999 | LIN-PIA-ALI-SG11 |
| <i>Group</i> | SG11 | Status:C | Max. occ.: 9999 | INV-QTY-GIN-LOC-DTM |
| <i>Segment</i> | INV | No.: 8 Status:M | Level: 2 Max. occ.: 1 | Inventory management related details |

Description Inventory management related details

Description of Segment:

| | Description | St Format | * | Example | Remarks |
|------|-----------------------------------|-----------|---|---------|--|
| 4501 | Inventory movement direction code | D an..3 | * | +1 | 1 = Movement out of inventory 2 = Movement into inventory |
| 7491 | Inventory type code | C an..3 | | + | |
| 4499 | Inventory movement reason code | N an..3 | | + | |
| 4503 | Inventory balance method code | D an..3 | * | +1' | 2 = Formal inventory balance |

Description:

This segment is used to identify the inventory movement direction.

Example:

INV++++2'

QTY+145:12' Actual stock

INV+1'

QTY+199:1' Withdrawal quantity

INV+2'

QTY+48:15' Received quantity

More detailed examples you will find within the 'Message description' on page 3

INVRPT 4.2.0

Segments Layout

| | | | | |
|---------|-------------|--------------------|--------------------------|---------------------|
| Group | SG9 | Status:C | Max. occ.: 999999 | LIN-PIA-ALI-SG11 |
| Group | SG11 | Status:C | Max. occ.: 9999 | INV-QTY-GIN-LOC-DTM |
| Segment | QTY | No.: 9 Status:M | Level: 3 Max. occ.: 1 | Quantity |

Description Quantity

Description of Segment:

| | Description | St Format | * | Example | Remarks |
|------|------------------------------|-----------|---|---------|--|
| C186 | Quantity details | M | | | |
| 6063 | Quantity type code qualifier | M an..3 | * | +145 | 26 = Promotion quantity 48 = Received quantity 57 = In transit quantity 59 = Number of consumer units in the traded unit 61 = Return quantity 73 = Outstanding quantity 135 = Period quantity, planned 145 = Actual stock 191 = Adjustment to inventory quantity 199 = Inventory withdrawal quantity 217 = Out of inventory quantity 248 = Reserved quantity 250 = Inventory discrepancy 256 = Quantity awaiting delivery 257 = Quantity in physical inventory 263 = Control quantity * 31E = Promotional stock (EAN Code) 61E = Available for despatch (EAN Code) 82E = Outstanding promotion products quantity (EAN Code) 83E = Promotion quantity ordered to the supplier but not yet received (EAN Code) 84E = Movements out of promotion inventory (EAN Code) 85E = Movements into promotion inventory (EAN Code) 86E = Out of inventory promotion quantity (EAN Code) |
| 6060 | Quantity | M an..35 | | :12 | |
| 6411 | Measurement unit code | D an..3 | | :KGM' | KGM = kilogram |

INVRPT 4.2.0

Segments Layout

| | Description | St Format | * | Example | Remarks |
|--|-------------|-----------|---|---------|---|
| | | | | | LTR = litre MTR = metre PCE = Piece (EAN Code) Dieses Feld wird NUR bei gewichtsvariabler Ware benutzt. Für Stückware ist es generell leer zu lassen. Der Qualifier PCE ist demzufolge nicht zu senden. |

Description:

This segment is used to express the quantities related to the current line item.

Example:

INV++++2'
 QTY+145:12' Actual stock

INV+1'
 QTY+199:1' Withdrawal quantity

INV+2'
 QTY+48:15' Received quantity

More detailed examples you will find within the 'Message description' on page 3

INVRPT 4.2.0

Segments Layout

| | | | | |
|----------------|-------------|---------------------|-----------------------------|------------------------------|
| <i>Group</i> | SG9 | Status:C | Max. occ.: 999999 | LIN-PIA-ALI-SG11 |
| <i>Group</i> | SG11 | Status:C | Max. occ.: 9999 | INV-QTY-GIN-LOC-DTM |
| <i>Segment</i> | GIN | No.: 10 Status:C | Level: 3 Max. occ.: 9999 | Goods identity number |

Description Goods identity number

Description of Segment:

| | Description | St Format | * | Example | Remarks |
|------|---|-----------|---|---------|--------------------------|
| 7405 | Object identification code qualifier | M an..3 | * | +BX | BX = Batch number |
| C208 | Identity number range | M | | | |
| 7402 | Object identifier | M an..35 | | +12' | |

Description:

This segment is used to provide additional identification numbers relevant to the line item identified in the LIN segment and specific to the quantities reported in the QTY segment.
EAN/UCC Serial Shipping Container Codes (SSCC) are provided in the GIN segment in the CPS segment group.

DE C208: If multiple, non-consecutive identification numbers are provided, then each of them is placed in the first DE 7402 of C208. If a range of consecutive identification numbers is provided, then the first number in that range is placed alone in the first DE 7402 of C208, and the last number in that range is placed alone in the second DE 7402 for that particular C208.

Example:

GIN+BX+12'

INVRPT 4.2.0

Segments Layout

| | | | | |
|---------|-------------|---------------------|--------------------------|-------------------------------|
| Group | SG9 | Status:C | Max. occ.: 999999 | LIN-PIA-ALI-SG11 |
| Group | SG11 | Status:C | Max. occ.: 9999 | INV-QTY-GIN-LOC-DTM |
| Segment | LOC | No.: 11 Status:C | Level: 3 Max. occ.: 5 | Place/location identification |

Description Place/location identification

Description of Segment:

| | Description | St Format | * | Example | Remarks |
|------|--------------------------------------|-----------|---|--------------------|---|
| 3227 | Location function code qualifier | M an..3 | | +14 | 14 = Location of goods 18 = Warehouse 19 = Factory/plant 162 = Place or location of sale |
| C517 | Location identification | A | | | |
| 3225 | Location name code | A an..25 | | +509910 4000221 | GLN - Format n13 GLN des Inventar-Ortes |
| 1131 | Code list identification code | C an..17 | | : | |
| 3055 | Code list responsible agency code | D an..3 | | :9' | 9 = EAN (International Article Numbering association) |

Description:

This segment is used to identify the location of inventoried goods or the delivery location specific to the quantity reported in the QTY segment.

When identifying locations it is recommended to use Global Location Number GLN.

Example:

LOC+14+5099104000221::9'

INVRPT 4.2.0

Segments Layout

| | | | | |
|----------------|-------------|---------------------|--------------------------|-------------------------|
| <i>Group</i> | SG9 | Status:C | Max. occ.: 999999 | LIN-PIA-ALI-SG11 |
| <i>Group</i> | SG11 | Status:C | Max. occ.: 9999 | INV-QTY-GIN-LOC-DTM |
| <i>Segment</i> | DTM | No.: 12 Status:C | Level: 3 Max. occ.: 5 | Date/time/period |

Description Date/time/period

Description of Segment:

| | Description | St Format | * | Example | Remarks |
|------|--|-----------|---|-------------------------|---------------------------------|
| C507 | Date/time/period | R | | | |
| 2005 | Date or time or period function code qualifier | R an..3 | * | +55 | 55 = Confirmed date/time |
| 2380 | Date or time or period value | R an..35 | | : 2015081 5100000 | |
| 2379 | Date or time or period format code | R an..3 | * | :204' | 204 = CCYYMMDDHHMMSS |

Description:

This segment is used to specify dates relevant to the quantity (or sub-quantity) specified in the QTY segment for the current line item.

Example:

DTM+55:201508151000001:204'

INVRPT 4.2.0

Segments Layout

Segment **UNT** No.: 13 Level: 0 Message trailer
 Status: M Max. occ.: 1

Description Message trailer

Description of Segment:

| | Description | St Format | * | Example | Remarks |
|------|-----------------------------------|-----------|---|----------|---|
| 0074 | Number of segments in the message | M n..6 | | +11 | The total number of segments in the message is detailed here. |
| 0062 | Message reference number | M an..14 | | +100001' | The message reference numbered detailed here should equal the one specified in the UNH segment. |

Description:

The UNT segment is a mandatory UN/EDIFACT segment. It must always be the last segment in the message.

Example:

UNT+11+ME000001'

INVRPT 4.2.0

Example

Message included mandatory information only:

```
UNH+100001+INVRPT:D:01B:UN:EAN006'  
BGM+35+21599+9'  
DTM+137:20060401081300:204'  
NAD+BY+5412345000013::9'  
LIN LIN+1+++5412345111115:SRV'  
PIA+1+ABC5343:IN::92'  
INV+1+++1'  
QTY+145:12:KGM'  
GIN+BX+12'  
LOC+14+5099104000221::9'  
UNT+11+100001
```

INVRPT 4.2.0

List of changes

| No. | Description | Segments and elements |
|-----|---|---------------------------------|
| 01 | 15.07.2010: Publikation Version 4.0.0 | 1 UNH |
| 02 | 01.12.2011: Publikation Version 4.1.0 | 1 UNH |
| 03 | 01.12.2011: Codes 61, 250 & 263 added | 9 QTY C186 6063 SG9#1\SG11#1 |
| 04 | 05.04.2016/4.2.0: Qualifier 135 added (CR 15-003) | 9 QTY C186 6063 SG9#1\SG11#1 |
| 05 | 05.04.2016/4.2.0: DTM Segment added (CR 15-003) | 12 DTM SG9#1\SG11#1 |
| 06 | 05.04.2016/4.2.0: Publication 4.2.0 | 1 UNH |

GS1 Schweiz ist
der Fachverband
für nachhaltige
Wertschöpfungs-
netzwerke.

GS1 Switzerland
Monbijoustrasse 68
3007 Bern

3007 Bern
T +41 58 800 70 00
M info@gs1.ch
www.gs1.ch



Kompetenzplattform Ganzheitlich denken - Ressourcen schonen



Kompetenzvermittlung Wissen vermitteln - Kompetenz steigern



Kollaboration Zusammenarbeit fördern - Wertschöpfung verbessern



Standards Standards nutzen - Effizienz erhöhen



Nachhaltigkeit Ganzheitlich denken - Ressourcen schonen