

GS1 System

Ideal-Message PRICAT 1.2.0

06.07.2017

Based on EANCOM ® 2002

PRICAT 1.2

Documentation conventions

Format and pictures

as described in column "Format" of segment details

Character type:

a :alphabetic characters
n :numeric characters
an :alpha-numeric characters

Size:

Fixed : all positions must be used
Variable : positions may be used up to a specified maximum

Examples:

as described in column "St" of segment details

Status indicators

as described in column "St" of segment details

(R)equired

Indicates that the entity is required and must be sent. (This status is set by EANCOM®.)

(C)onditional

Indicates that the entity is conditional and may be sent at the discretion of the user.

(D)ependent

Indicates that the entity must be sent in certain conditions, as defined by the relevant explanatory note.

(N)ot used

Indicates that the entity is not used.

Restriction indicators

as described in column "R" of segment details

Restricted (*)

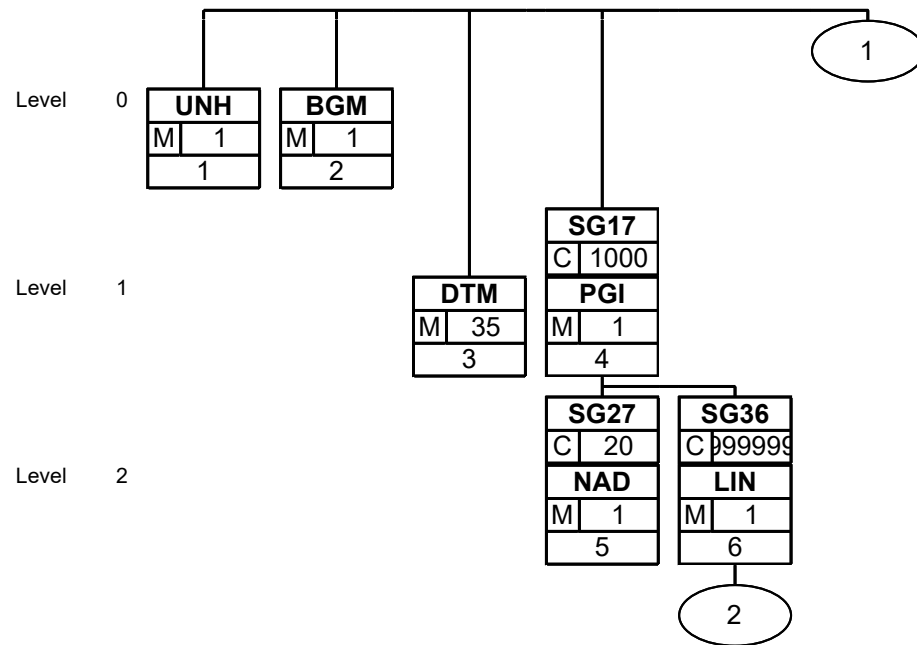
A data element marked with an asterisk (*) in the fourth column of the segment details of a message indicates that the listed codes in column five are the only codes available for use with the data element at the same level as the asterisk, in the current segment, in the current message.

Open

All data elements in which coded representation of data is possible, and in which a restricted set of code values is not indicated, are open. The available codes are listed in the Data Elements and Code Sets Directory (Part III of this manual). Code values may be given as examples or there may be a note on the format or type of code to be used.

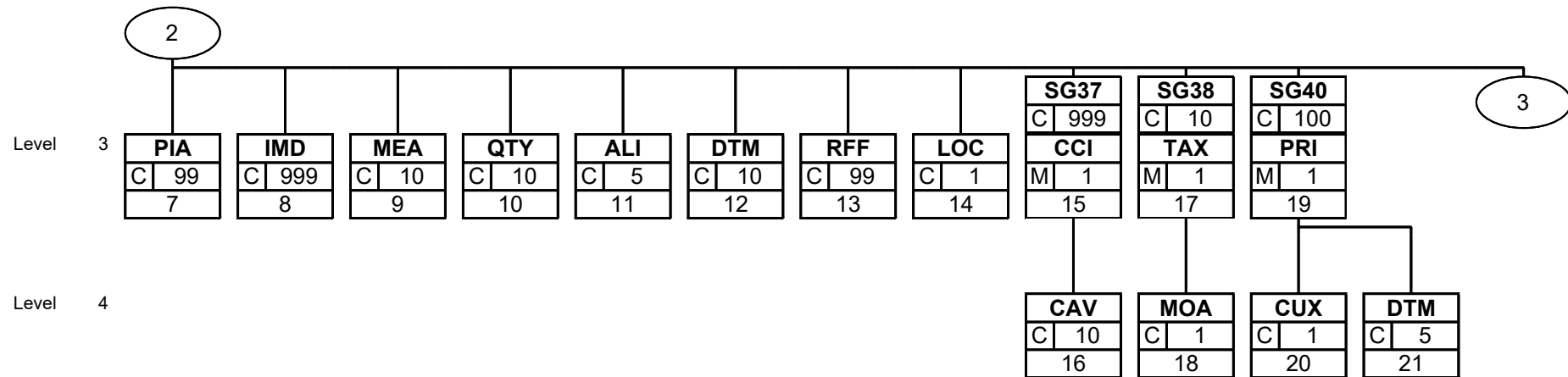
PRICAT 1.2

Branching diagram



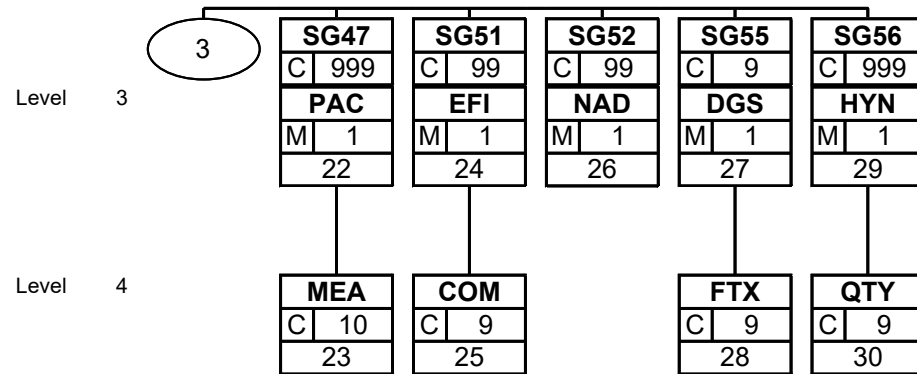
PRICAT 1.2

Branching diagram



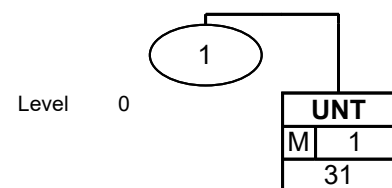
PRICAT 1.2

Branching diagram



PRICAT 1.2

Branching diagram



PRICAT 1.2

Segments Layout

Segment **UNH** No.: 1 Level: 0 Message header
 Status: M Max. occ.: 1

	Description	St Format	*	Example	Remarks
0062	Message reference number	M an..14		+ME000001	Senders unique message reference. Sequence number of messages in the interchange. DE 0062 in UNT will have the same value. Generated by the sender.
S009	Message identifier	M			
0065	Message type	M an..6	*	+PRICAT	PRICAT = Price/sales catalogue message
0052	Message version number	M an..3	*	:D	D = Draft version/UN/EDIFACT Directory
0054	Message release number	M an..3	*	:01B	01B = Release 2001 - B
0051	Controlling agency	M an..2	*	:UN	
0057	Association assigned code	R an..6	*	:EAN009'	EAN009 = GS1 version control number (GS1 Code)

Description:

This segment is used to head, identify and specify a message.

DE's 0065, 0052, 0054, and 0051: Indicate that the message is a UNSM Price/Sales Catalogue based on the D.01B directory under the control of the United Nations.

Example:

UNH+ME000001+PRICAT:D:01B:UN:EAN009'

PRICAT 1.2

Segments Layout

Segment **BGM** No.: 2 Level: 0 Beginning of message
 Status: M Max. occ.: 1

	Description	St Format	*	Example	Remarks
C002	Document/message name	R			
1001	Document name code	R an..3	*	+9	9 = Price/sales catalogue
C106	Document/message identification	R			
1004	Document identifier	R an..35		+PC324 58	Price/sales catalogue message number.
1225	Message function code	R an..3	*	+9'	9 = Original 31 = Copy

Description:

This segment is used to indicate the type and function of a message and to transmit the identifying number.

Example:

BGM+9+PC32458+9'

PRICAT 1.2

Segments Layout

Segment **DTM** No.: 3 Level: 1 Date/time/period
 Status: M Max. occ.: 35

	Description	St Format	*	Example	Remarks
C507	Date/time/period	M			
2005	Date or time or period function code qualifier	M an..3	*	+137	137 = Document/message date/time
2380	Date or time or period value	R an..35		: 2006030 91059	
2379	Date or time or period format code	R an..3	*	:204'	204 = CCYYMMDDHHMMSS

Description:

This segment is used to specify the date or period of the Price/Sales Catalogue.

DE 2005: Identification of the 'Document/message date/time' (code value 137) is mandatory in an EANCOM message.

Example:

DTM+137:20060309105900:204'

PRICAT 1.2

Segments Layout

Group **SG17** Status:C Max. occ.: 1000 PGI-SG27-SG36

Segment **PGI** No.: 4 Level: 1 Product group information
 Status:M Max. occ.: 1

	Description	St Format	*	Example	Remarks
5379	Product group type code	M an..3	*	+14	14 = Geographical target market division/subdivision code
C288	Product group	R			
5389	Product group name code	R an..25		+ES	ISO3166-1 Code for Target Market Country Code
1131	Code list identification code	N an..17		:	
3055	Code list responsible agency code	R an..3	*	:5'	5 = ISO (International Organization for Standardization) Target Market C

Description:

This segment is used to group a set of related products together.

The detail section of the Price/Sales Catalogue starts with the PGI segment. PGI is used to group products, by price, by product type, by buying group, and/or by supplier/manufacturer.

Example:

PGI+14+ES::5'

PRICAT 1.2

Segments Layout

<i>Group</i>	SG17	Status:C	Max. occ.: 1000	PGI-SG27-SG36
<i>Group</i>	SG27	Status:C	Max. occ.: 20	NAD
<i>Segment</i>	NAD	No.: 5 Status:M	Level: 2 Max. occ.: 1	Name and address

	Description	St Format	*	Example	Remarks
3035	Party function code qualifier	M an..3	*	+IPD	IPD = Article information party (GS1 Code)
C082	Party identification details	R			
3039	Party identifier	M an..35		+509910 455221	For identification of parties it is recommended to use GLN - Format n13.
1131	Code list identification code	N an..17		:	
3055	Code list responsible agency code	R an..3	*	:9	9 = GS1
C058	Name and address	N			
3124	Name and address description	N an..35		+	
C080	Party name	R			
3036	Party name	R an..35		+InvProv ,	

Description:

This segment group is used to specify names and addresses relevant to the current pricing or product grouping.

Example:

NAD+IPD+509910455221::9++InfProv'

PRICAT 1.2

Segments Layout

<i>Group</i>	SG17	Status:C	Max. occ.: 1000	PGI-SG27-SG36
<i>Group</i>	SG36	Status:C	Max. occ.: 999999	LIN-PIA-IMD-MEA-QTY-ALI-DTM-RFF-LOC-SG37-SG38-SG40-SG47-SG51-SG52-SG55-SG56
<i>Segment</i>	LIN	No.: 6 Status:M	Level: 2 Max. occ.: 1	Line item

	Description	St Format	*	Example	Remarks
1082	Line item identifier	R an..6		+1	Application generated number of the lines or sub-lines within the Price/Sales Catalogue message.
1229	Action request/notification description code	R an..3	*	+1	1 = Added 2 = Deleted 3 = Changed 96 = Correction of error
C212	Item number identification	D			
7140	Item identifier	R an..35		+541234 5111115	Format n..14 GTIN - this is the number of the article.
7143	Item type identification code	R an..3	*	:SRV'	SRV = GS1 Global Trade Item Number

Description:

This segment is used to identify the GTIN of a product.

If Global Trade Item Numbers are available it is mandatory to use GTIN within the LIN segment.

First LIN segment will contain common information. Following LINS with the same GTIN will contain specific information per trading partner. The GLN of the trading partner will be detailed in NAD Segment.

Example:

LIN+1+1+5412345111115:SRV'

PRICAT 1.2

Segments Layout

Group	SG17	Status:C	Max. occ.: 1000	PGI-SG27-SG36
Group	SG36	Status:C	Max. occ.: 999999	LIN-PIA-IMD-MEA-QTY-ALI-DTM-RFF-LOC-SG37-SG38-SG40-SG47-SG51-SG52-SG55-SG56
Segment	PIA	No.: 7 Status:C	Level: 3 Max. occ.: 99	Additional product id

	Description	St Format	*	Example	Remarks
4347	Product identifier code qualifier	M an..3	*	+1	<p>1 = Additional information</p> <p>4 = Substituted for</p> <p>Product Id function, coded has the following restricted coded functions:</p> <p>1 - Additional Identification - To provide an additional identity for the GTIN identified in the LIN segment, or the non-GTIN provided in the PIA segment using code value '5' in DE 4347. The additional code can consist of:</p> <p>A supplemental identification which provides more information complementary to the GTIN provided in the PIA segment, e.g., a batch number, promotional variant number, grouping code, etc.</p> <p>An alternative identification which may be used instead of the GTIN provided in the PIA segment, e.g., a buyer's article number, an HIBC code, etc.</p> <p>4 - Substituted for - To provide the global trade item number of a product which has been substituted for the product identified by the GTIN provided in the LIN segment. In the Price/Sales Catalogue this function code may be used to inform trading partners of a number change relevant to a product. In this case, the LIN segment will contain the new number and the 'Substituted for' PIA segment will identify the old trade item number which has been substituted.</p>
C212	Item number identification	M			
7140	Item identifier	R an..35		+20000140	
7143	Item type identification code	R an..3	*	:GAT	<p>BRI = Brick Code (GS1 Code)</p> <p>GAT = GPC Brick attribute type (GS1 Code)</p> <p>GAV = GPC Brick attribute value (GS1 Code)</p>

PRICAT 1.2

Segments Layout

	Description	St Format	*	Example	Remarks
1131	Code list identification code	C an..17	:		Code) *
3055	Code list responsible agency code	C an..3	:9		SA = Supplier's article number SRV = GS1 Global Trade Item Number
C212	Item number identification	O			
7140	Item identifier	R an..35		+300029 03	
7143	Item type identification code	R an..3	* :GAV		GAV = GPC Brick attribute value (GS1 Code) *
1131	Code list identification code	C an..17	:		
3055	Code list responsible agency code	D an..3	:9'		

Description:

This segment is used to identify additional or substitutional item identification codes such as buyer's, or seller's item number.

Example:

PIA+4+8456789900000:SRV'

PIA+1+10000040:BRI::9'

PRICAT 1.2

Segments Layout

Group	SG17	Status:C	Max. occ.: 1000	PGI-SG27-SG36
Group	SG36	Status:C	Max. occ.: 999999	LIN-PIA-IMD-MEA-QTY-ALI-DTM-RFF-LOC-SG37-SG38-SG40-SG47-SG51-SG52-SG55-SG56
Segment	IMD	No.: 8 Status:C	Level: 3 Max. occ.: 999	Item description

	Description	St Format	*	Example	Remarks
7077	Description format code	R an..3	*	+C	B = Code and text C = Code (from industry code list) E = Free-form short description F = Free-form S = Structured (from industry code list) This DE qualifies the type of description as: free-form, free form long, free form short or free form PLU. The actual text descriptions are provided in one or more occurrences of DE 7008.
C272	Item characteristic	O			
7081	Item characteristic code	R an..3	*	+XX5	open codelist 7081
1131	Code list identification code	C an..17	:	:	
3055	Code list responsible agency code	D an..3	*	:9	9 = GS1
C273	Item description	A			
7009	Item description code	O an..17	*	+ORU	AUT = Autumn (GS1 Code) * BU = Base unit (GS1 Code) CA = Case (GS1 Code) CIT = Collateral Item (GS1 Code) CU = Consumer unit (GS1 Code) D = Available all the year round (GS1 Code) DAS = Dynamic Assortment (GS1 Code) DSP = Display shipper (GS1 Code) DST = Display stand (GS1 Code) DU = Despatch unit (GS1 Code) FEM = Female (GS1 Code) * GWP = Gift with purchase (GS1 Code) IN = Invoicing unit (GS1 Code) MAL = Male (GS1 Code) * MM = Mixed module (GS1 Code) MP = Multipack (GS1 Code) NBU = Not a base unit (GS1 Code) *

PRICAT 1.2

Segments Layout

	Description	St Format	*	Example	Remarks
					NCU = Not a consumer unit (GS1 Code) NDU = Not a despatch unit (GS1 Code) NIN = Not an invoicing unit (GS1 Code) NO = Not an ordering unit (GS1 Code) NVQ = Not a variable quantity product (GS1 Code) ORU = Ordering unit (GS1 Code) PAS = Prepack assortment (GS1 Code) PAL = Pallet (GS1 Code) PIP = Packer or inner pack (GS1 Code) PPK = Prepack (GS1 Code) PWP = Purchase with purchase (GS1 Code) SMR = Summer (GS1 Code) * SPK = Setpack (GS1 Code) SPR = Spring (GS1 Code) * SU = Smallest unit (GS1 Code) UNI = Unisex (GS1 Code) * VQ = Variable quantity product (GS1 Code) WNT = Winter (GS1 Code) * XX1 = Count (GS1 Code) XX2 = Area (GS1 Code) XX3 = Weight (GS1 Code) XX4 = Volume (GS1 Code) XX5 = Length (GS1 Code) XX6 = Loose (GS1 Code) XX7 = Pre-packed (GS1 Code)
1131	Code list identification code	N an..17	:		
3055	Code list responsible agency code	D an..3	:9		9 = GS1 91 = Assigned by supplier or supplier's agent
7008	Item description	O an..25	:A		
7008	Item description	O an..25	:A		
3453	Language name code	O an..3	:DE'		

Description:

This segment is used to describe the current line item.

Product description information is required in the price catalogue message when a product is new or its description has been amended, otherwise its use is not recommended.

If you wish to indicate that promotional details are marked on the package, then this should be indicated in DE 7233 in the PAC segment.

Example:

IMD+C++TU::9'

IMD+F++:::CORN CRISPIES:CASE'

PRICAT 1.2

Segments Layout

Group	SG17	Status:C	Max. occ.: 1000	PGI-SG27-SG36
Group	SG36	Status:C	Max. occ.: 999999	LIN-PIA-IMD-MEA-QTY-ALI-DTM-RFF-LOC-SG37-SG38-SG40-SG47-SG51-SG52-SG55-SG56
Segment	MEA	No.: 9 Status:C	Level: 3 Max. occ.: 10	Measurements

	Description	St Format	*	Example	Remarks
6311	Measurement purpose code qualifier	M an..3	*	+PD	AAB = Transport conditions for delivery to distribution centre ABB = Transport conditions for delivery to market ABO = Comparison price measurement AAE = Measurement CT = Counts PD = Physical dimensions (product ordered) SO = Storage limitation
C502	Measurement details	A			
6313	Measured attribute code	A an..3	*	+AAA	AAA = Unit net weight AAO = Humidity ABI = Original wort AEI = Drained weight AFG = Percentage fat content in dry matter BNU = Peg hole number BNV = Number of inner packs CT = Contents of package DI = Diameter DP = Depth HT = Height dimension SPV = Product strength basis (GS1 Code) TC = Temperature WD = Width dimension X8E = Peg hole horizontal distance from package leftmost edge (GS1 Code) X9E = Peg hole vertical distance from top (GS1 Code)
C174	Value/range	A			
6411	Measurement unit code	M an..3		+LTR	open codelist 6411 Codeliste for priceComparisonContentType:

PRICAT 1.2

Segments Layout

	Description	St Format	*	Example	Remarks
					DRAINED_WEIGHT -> DE6313=AEI INCLUDING_ADDITIVES -> MILLILITRES_EXCLUDING_DEPOSIT -> PER_DOSE -> DOS PER_KILOGRAM -> KGM PER_LITRE -> LTR PER_LOAD -> PER_METRE -> MTR PER_PIECE -> PCE/EA PER_PINT -> PTI PER_POUND -> PND PER_WASH -> DOS PER_YARD -> YRD READY_TO_DRINK -> ??? READY_TO_EAT -> ???
6314	Measurement value	O an..18		:1	
6162	Range minimum value	O n..18		:1	
6152	Range maximum value	O n..18		:1'	

Description:

This segment is used to specify measurements related to the article identified in the LIN segment. Measurements related to the packaging of the article are provided in the MEA segment of the PAC segment group.

Example:

MEA+PD+CT+LTR:1'
 MEA+PD+HT+MMT:80'

PRICAT 1.2

Segments Layout

<i>Group</i>	SG17	Status:C	Max. occ.: 1000	PGI-SG27-SG36
<i>Group</i>	SG36	Status:C	Max. occ.: 999999	LIN-PIA-IMD-MEA-QTY-ALI-DTM-RFF-LOC-SG37-SG38-SG40-SG47-SG51-SG52-SG55-SG56
<i>Segment</i>	QTY	No.: 10 Status:C	Level: 3 Max. occ.: 10	Quantity

	Description	St Format	*	Example	Remarks
C186	Quantity details	M			
6063	Quantity type code qualifier	M an..3	*	+53	53 = Minimum order quantity 54 = Maximum order quantity 251 = Incremental order quantity 474 = Number of different next lower level trade items 45E = Number of units in higher packaging or configuration level (GS1 Code)
6060	Quantity	M an..35		:12	
6411	Measurement unit code	D an..3		:KGM'	open codelist 6411

Description:

This segment is used to provide quantity information for the current line item, e.g. minimum order quantity.

Example:

QTY+53:1000'

PRICAT 1.2

Segments Layout

Group	SG17	Status:C	Max. occ.: 1000	PGI-SG27-SG36
Group	SG36	Status:C	Max. occ.: 999999	LIN-PIA-IMD-MEA-QTY-ALI-DTM- RFF-LOC-SG37-SG38-SG40- SG47-SG51-SG52-SG55-SG56
Segment	ALI	No.: 11 Status:C	Level: 3 Max. occ.: 5	Additional information

	Description	St Format	*	Example	Remarks
3239	Country of origin name code	O an..3		+ES	ISO 3166 two alpha code
9213	Duty regime type code	C an..3		+	
4183	Special condition code	O an..3	*	+172'	109 = Sale or return 172 = Production batch number allocated 198 = Re-orderable X15 = No re-ordering (GS1 Code)

Description:

This segment is used to indicate special conditions for the current line item, or, to specify the country of origin of the line item.

Example:

ALI+++172'

PRICAT 1.2

Segments Layout

Group	SG17	Status:C	Max. occ.: 1000	PGI-SG27-SG36
Group	SG36	Status:C	Max. occ.: 999999	LIN-PIA-IMD-MEA-QTY-ALI-DTM-RFF-LOC-SG37-SG38-SG40-SG47-SG51-SG52-SG55-SG56
Segment	DTM	No.: 12 Status:C	Level: 3 Max. occ.: 10	Date/time/period

	Description	St Format	*	Example	Remarks
C507	Date/time/period	M			
2005	Date or time or period function code qualifier	M an..3	*	+763	7 = Effective date/time 36 = Expiry date 44 = Availability 169 = Lead time 357 = Cancel if not published by this date 362 = End availability date 381 = Product Lifespan at time of production (GS1 Code) 418 = Minimum shelf life remaining at time of receipt 423 = First date of ordering 424 = Last date of ordering 541 = First published date 760 = Start date/time, maximum buying quantity 761 = Start date/time, minimum buying quantity 762 = Marketing campaign end date/time, suggested 763 = Marketing campaign start date/time, suggested 768 = End date/time, maximum buying quantity 769 = End date/time, minimum buying quantity X49 = Seasonal availability end date (GS1 Code)
2380	Date or time or period value	R an..35	:	2006070 1000000	
2379	Date or time or period format code	R an..3	*	:204'	204 = CCYYMMDDHHMMSS 602 = CCYY 804 = Day Periods are specified using one repeat of the

PRICAT 1.2

Segments Layout

	Description	St Format	*	Example	Remarks
					DTM segment. The qualifier 718 for DE 2379 indicates that the date is in the format CCYYMMDD-CCYYMMDD where the user may specify a start and end date. The start date for a period is always specified first.

Description:

This segment is used to specify relevant dates for the current line item.
The period of the promotion is from the 1st May 2002 until the 31st May 2002.

Example:

DTM+7:20060315000000:204'

PRICAT 1.2

Segments Layout

Group	SG17	Status:C	Max. occ.: 1000	PGI-SG27-SG36
Group	SG36	Status:C	Max. occ.: 999999	LIN-PIA-IMD-MEA-QTY-ALI-DTM-RFF-LOC-SG37-SG38-SG40-SG47-SG51-SG52-SG55-SG56
Segment	RFF	No.: 13 Status:C	Level: 3 Max. occ.: 99	Reference

	Description	St Format	*	Example	Remarks
C506	Reference	M			
1153	Reference code qualifier	R an..3	*	+MSS	MSS = Manufacturer's material safety data sheet number
1154	Reference identifier	R an..70		: MSS123 43'	

Description:

This segment is used to identify references, which are related to the current line item.

Example:

RFF+MSS:MSS12343'

PRICAT 1.2

Segments Layout

Group	SG17	Status:C	Max. occ.: 1000	PGI-SG27-SG36
Group	SG36	Status:C	Max. occ.: 999999	LIN-PIA-IMD-MEA-QTY-ALI-DTM-RFF-LOC-SG37-SG38-SG40-SG47-SG51-SG52-SG55-SG56
Segment	LOC	No.: 14 Status:C	Level: 3 Max. occ.: 1	Place/location identification

	Description	St Format	*	Example	Remarks
3227	Location function code qualifier	M an..3	*	+257	257 = Country of assembly
C517	Location identification	A			
3225	Location name code	R an..25		+ES	Country ISO 3166 code
1131	Code list identification code	C an..17		:	
3055	Code list responsible agency code	R an..3	*	:5'	5 = ISO (International Organization for Standardization)

Description:

This segment is used to indicate the country, the continent or the region where the product may be sold. This segment should only be used to identify countries other than the 'country of origin', e.g. country of export. The country of origin should continue to be stated in the ALI segment of the message.

Example:

LOC+257+ES::5'

Country of Assembly: Spain

PRICAT 1.2

Segments Layout

Group	SG17	Status:C	Max. occ.: 1000	PGI-SG27-SG36
Group	SG36	Status:C	Max. occ.: 999999	LIN-PIA-IMD-MEA-QTY-ALI-DTM-RFF-LOC-SG37-SG38-SG40-SG47-SG51-SG52-SG55-SG56
Group	SG37	Status:C	Max. occ.: 999	CCI-CAV
Segment	CCI	No.: 15 Status:M	Level: 3 Max. occ.: 1	Characteristic/class id

	Description	St Format	*	Example	Remarks
7059	Class type code	C an..3		+	
C502	Measurement details	N			
6313	Measured attribute code	C an..3		+	
C240	Product characteristic	O			
7037	Characteristic description code	M an..17	*	+MATC ARE	ORGA = Organic Trade Item Code (GS1 Code) * NIC = Code * PACKM = Packaging Material (GS1 Code) * AT UOM = Ordering and Selling Unit Of Measure (GS1 Code) * RECYC = Recycle (GS1 Code) LE
1131	Code list identification code	C an..17		:	
3055	Code list responsible agency code	R an..3	*	:92	9 = GS1 92 = Assigned by buyer or buyers agent
7036	Characteristic description	C an..35		: BLEACH '	

Description:

This segment is used to specify the characteristics of the current line item.

This example indicates for the textile industry that the product characteristic being identified is for fabric. As no code value is available (code ZZZ is a dummy because DE 7037 is mandatory) the information is provided in free text form.

Example:

CCI+++RECYCLE::9'

Trade item is marked as recyclable

PRICAT 1.2

Segments Layout

Group	SG17	Status:C	Max. occ.: 1000	PGI-SG27-SG36
Group	SG36	Status:C	Max. occ.: 999999	LIN-PIA-IMD-MEA-QTY-ALI-DTM-RFF-LOC-SG37-SG38-SG40-SG47-SG51-SG52-SG55-SG56
Group	SG37	Status:C	Max. occ.: 999	CCI-CAV
Segment	CAV	No.: 16 Status:C	Level: 4 Max. occ.: 10	Characteristic value

	Description	St Format	*	Example	Remarks
C889	Characteristic value	M			
7111	Characteristic value description code	A an..3		+Y	<p>Code for tradeItemMarkedAsRecyclable: Y - Yes N - No</p> <p>Codes for organicTradeItemCode: 01 -100% organic -> 1 (GS1 Code) 02 - Organic -> 2 (GS1 Code) 03 - Made with Organic Ingredients -> 3 (GS1Code) 04 - Some Organic Ingredients -> 4 (GS1 Code) 05 - Not Organic -> 5 (GS1 Code) 06 - Unknown -> 6 (GS1 Code)</p> <p>Codes for organicClaimAgency 1 - EPA - US Environmental Protection Agency 2 - FSA - UK Food Standards Agency 3 - FDA - US Food and Drug Agency 4 - International Foundation for Organic Agriculture</p> <p>Code for packagingMaterialCode: 01 Aluminium 03 Hard Wood 04 As Specified by the DOT 05 Soft Wood 07 Burlap 10 Chemically Hardened Fibre 13 Cloth 16 Cloth Top 19 Cloth or Fabric 22 Compressed 25 Corrugated or Solid 28 Double-wall Paper 31 Fibre</p>

PRICAT 1.2

Segments Layout

	Description	St Format	*	Example	Remarks
					34 Fibre (Paperboard) 37 Fiberboard 40 Fiberboard Metal 43 Glass 46 In Inner Containers 48 Wire/Cord 49 Insulated 50 Steel - Vinyl Coated 51 Wire Mesh 52 Iron or Steel 53 Jumbo 54 Special Jumbo 55 Lead 58 Metal 59 Metal Cans 61 Moisture Resistant 64 Molded Plastic 67 Multiple-wall Paper (2 or more walls) 70 Multiple-wall Paper (3 or more walls) 71 Not Otherwise Specified 72 Paper – VCI 73 Other than Glass 74 Other than Metal or Plastic Tubes, or Glass 75 Plastic - Vacuum Formed 76 Paper 77 Plastic - Structural Foam 78 Plastic - Injection Molded 79 Plastic 80 Polyethylene Lined 81 Plastic – Virgin 82 Pulpboard 83 Plastic – Regrind 84 Polystyrene 85 Rubber 86 Foam 88 Rubber and Fabric 89 Special 90 Standard 91 Stainless Steel 92 Tubes, Metal or Plastic 94 Wood 95 Single Wall Corrugated Board 96 Double Wall Corrugated Board 97 Triple Wall Corrugated Board
1131	Code list identification code	C an..17	*	:	OAG = Organic Claim Agency (GS1 Code) OCO = Organic Trade Item Code (GS1

PRICAT 1.2

Segments Layout

	Description	St Format	*	Example	Remarks
					Code) OUM = Ordering unit of measure (GS1 Code) SUM = Selling unit of measure (GS1 Code) 9 = GS1
3055	Code list responsible agency code	D an..3	*	:9'	

Description:

This segment is used to further specify product characteristics for the current line item. When using in combination with the example in the previous CCI indicates that the fabric used in the product is wool. As no code value exist within the industry the free text description is used.

Example:

CCI+++RECYCLE::9'

Trade item is marked as recyclable

CAV+Y::9'

CAV+:::PACKAGING MARKED RECYCLABLE SCHEME'

CCI+++ORGANIC::9'

*Organic trade item code is Not organic
Organic claim agency is International Foundation for Organic Agriculture*

CAV+5:OCO:9'

CAV+4:OAG:9'

CCI+++UOM::9'

Order unit of measure is Kilograms.

CAV+KGM:OUM:9'

Selling unit of measure is Liter

CAV+LTR:SUM:9'

CCI+++PACKMAT::9'

CAV+94::9'

CAV+EN:3453:9:Packaging Material Description'

Packaging material code list maintenance agency is GS1

PRICAT 1.2

Segments Layout

Group	SG17	Status:C	Max. occ.: 1000	PGI-SG27-SG36
Group	SG36	Status:C	Max. occ.: 999999	LIN-PIA-IMD-MEA-QTY-ALI-DTM-RFF-LOC-SG37-SG38-SG40-SG47-SG51-SG52-SG55-SG56
Group	SG38	Status:C	Max. occ.: 10	TAX-MOA
Segment	TAX	No.: 17 Status:M	Level: 3 Max. occ.: 1	Duty/tax/fee details

	Description	St Format	*	Example	Remarks
5283	Duty or tax or fee function code qualifier	M an..3	*	+7	7 = Tax
C241	Duty/tax/fee type	D			
5153	Duty or tax or fee type name code	R an..3	*	+VAT	AAD = Tobacco tax ENV = Environmental tax GST = Goods and services tax VAT = Value added tax
1131	Code list identification code	C an..17	:	:	
3055	Code list responsible agency code	N an..3	:	:	
5152	Duty or tax or fee type name	R an..35	:	Mehrwertsteuer	
C533	Duty/tax/fee account detail	N			
5289	Duty or tax or fee account code	N an..6	+	+	
5286	Duty or tax or fee assessment basis value	N an..15	+	+	
C243	Duty/tax/fee detail	C			
5279	Duty or tax or fee rate code	N an..7	+	+	
1131	Code list identification code	N an..17	:	:	
3055	Code list responsible agency code	N an..3	:	:	
5278	Duty or tax or fee rate	R an..17	:	:7.6	The actual rate of tax/duty.
5305	Duty or tax or fee category code	D an..3	*	+E'	E = Exempt from tax

Description:

This segment is used to specify the tax details for the current line item.

PRICAT 1.2

Segments Layout

Example:

TAX+7+VAT::Mehrwertsteuer+++::7.6'

PRICAT 1.2

Segments Layout

<i>Group</i>	SG17	Status:C	Max. occ.: 1000	PGI-SG27-SG36
<i>Group</i>	SG36	Status:C	Max. occ.: 999999	LIN-PIA-IMD-MEA-QTY-ALI-DTM-RFF-LOC-SG37-SG38-SG40-SG47-SG51-SG52-SG55-SG56
<i>Group</i>	SG38	Status:C	Max. occ.: 10	TAX-MOA
<i>Segment</i>	MOA	No.: 18 Status:C	Level: 4 Max. occ.: 1	Monetary amount

	Description	St Format	*	Example	Remarks
C516	Monetary amount	M			
5025	Monetary amount type code qualifier	M an..3	*	+124	124 = Tax amount
5004	Monetary amount	R n..35		:500'	

Description:

This segment is used to indicate any monetary amounts related to the previous TAX segment.

Example:

MOA+124:500'

PRICAT 1.2

Segments Layout

Group	SG17	Status:C	Max. occ.: 1000	PGI-SG27-SG36
Group	SG36	Status:C	Max. occ.: 999999	LIN-PIA-IMD-MEA-QTY-ALI-DTM-RFF-LOC-SG37-SG38-SG40-SG47-SG51-SG52-SG55-SG56
Group	SG40	Status:C	Max. occ.: 100	PRI-CUX-DTM
Segment	PRI	No.: 19 Status:M	Level: 3 Max. occ.: 1	Price details

	Description	St Format	*	Example	Remarks
C509	Price information	R			
5125	Price code qualifier	R an..3	*	+AAB	AAB = Calculation gross AAE = Information price, excluding allowances or charges, including taxes INF = Information
5118	Price amount	R n..15		:100	
5375	Price type code	R an..3	*	:CA	CA = Catalogue Code value AE should only be used with the RNG segment in the PRI group 40.
5387	Price specification code	R an..3	*	:LIU'	MRP = Marked retail price (GS1 Code) LIU = List price (GS1 Code) SRP = Suggested retail price

Description:

This segment is used to provide price information for the current line item.

Example:

PRI+AAB:100:CA:LIU'
CUX+2:EUR:8'
PRI+AAE:120:CA:SRP'
CUX+2:CHF:8'
PRI+INF:110:CA:MRP'
CUX+2:EUR:8'

Catalogue price is 100
Currency Euros
Suggested Retail Price is 120
Currency Swiss Francs
Retail Price on Trade Item is 110
Currency Euros

PRICAT 1.2

Segments Layout

Group	SG17	Status:C	Max. occ.: 1000	PGI-SG27-SG36
Group	SG36	Status:C	Max. occ.: 999999	LIN-PIA-IMD-MEA-QTY-ALI-DTM-RFF-LOC-SG37-SG38-SG40-SG47-SG51-SG52-SG55-SG56
Group	SG40	Status:C	Max. occ.: 100	PRI-CUX-DTM
Segment	CUX	No.: 20 Status:C	Level: 4 Max. occ.: 1	Currencies

	Description	St Format	*	Example	Remarks
C504	Currency details	R			
6347	Currency usage code qualifier	M an..3	*	+2	2 = Reference currency
6345	Currency identification code	R an..3		:EUR	Open Codelist ISO 4217 three alpha.
6343	Currency type code qualifier	R an..3	*	:8'	8 = Price list currency

Description:

This segment is used to provide currency information for the current line item.

Example:

PRI+AAB:100:CA:LIU'
CUX+2:EUR:8'

*Catalogue price is 100
Currency Euros*

PRICAT 1.2

Segments Layout

Group	SG17	Status:C	Max. occ.: 1000	PGI-SG27-SG36
Group	SG36	Status:C	Max. occ.: 999999	LIN-PIA-IMD-MEA-QTY-ALI-DTM-RFF-LOC-SG37-SG38-SG40-SG47-SG51-SG52-SG55-SG56
Group	SG40	Status:C	Max. occ.: 100	PRI-CUX-DTM
Segment	DTM	No.: 21 Status:C	Level: 4 Max. occ.: 5	Date/time/period

	Description	St Format	*	Example	Remarks
C507	Date/time/period	M			
2005	Date or time or period function code qualifier	M an..3	*	+194	194 = Start date/time 206 = End date/time
2380	Date or time or period value	R an..35		: 2006030 1000000	
2379	Date or time or period format code	R an..3	*	:204'	204 = CCYYMMDDHHMMSS

Description:

Example:

DTM+194:20060301000000:204'

PRICAT 1.2

Segments Layout

Group	SG17	Status:C	Max. occ.: 1000	PGI-SG27-SG36
Group	SG36	Status:C	Max. occ.: 999999	LIN-PIA-IMD-MEA-QTY-ALI-DTM-RFF-LOC-SG37-SG38-SG40-SG47-SG51-SG52-SG55-SG56
Group	SG47	Status:C	Max. occ.: 999	PAC-MEA
Segment	PAC	No.: 22 Status:M	Level: 3 Max. occ.: 1	Package

	Description	St Format	*	Example	Remarks
7224	Package quantity	N n..8		+	
C531	Packaging details	O			
7075	Packaging level code	N an..3		+	
7233	Packaging related description code	O an..3	*	:50	1 = Product ingredients not marked on package 33 = Package marked returnable 50 = Package barcoded EAN-13 or EAN-8 51 = Package barcoded ITF-14 52 = Package barcoded UCC or EAN-128 54 = Product ingredients marked on package X01 = Composite Component A (GS1 Code) X02 = Composite Component B (GS1 Code) X03 = Composite Component C (GS1 Code) X04 = RSS-14 (GS1 Code) X05 = RSS-14 Stacked (GS1 Code) X06 = RSS-14 Staked omnidirectional (GS1 Code) X07 = RSS-14 Truncated (GS1 Code) X08 = RSS expanded (GS1 Code) X09 = RSS expanded truncated (GS1 Code) X10 = RSS limited (GS1 Code) X11 = UPC A symbol (GS1 Code) X12 = UPC E Symbol (GS1 Code) X13 = EANUCC 14 Symbol (GS1 Code) X14 = Package not marked returnable

PRICAT 1.2

Segments Layout

	Description	St Format	*	Example	Remarks
7073	Packaging terms and conditions code	O an..3	*	:1	<p>(GS1 Code)</p> <p>1 = Packaging cost paid by supplier</p> <p>2 = Packaging cost paid by recipient</p> <p>3 = Packaging cost not charged (returnable)</p> <p>25 = Safe return deposit</p> <p>26 = Not reusable</p> <p>27 = Package exchangeable at the point of delivery</p> <p>1E = Unpack from (GS1 Code)</p> <p>2E = Repack in (GS1 Code)</p> <p>3E = Pack in (GS1 Code)</p> <p>4E = Rented (GS1 Code)</p> <p>LAB = Labeled (GS1 Code)</p> <p>X11 = Packaging recycling fee paid by supplier (GS1 Code) *</p> <p>XX1 = Exchange Pallets (GS1 Code)</p> <p>XX2 = Return Pallets (GS1 Code)</p> <p>XX3 = Pallet - Third Party Exchange (GS1 Code)</p> <p>XX4 = No Exchange / No Return Pallet (GS1 Code)</p>
C202	Package type	O			
7065	Package type description code	A an..17		+AE	open codeliste 7065
1131	Code list identification code	C an..17		:	
3055	Code list responsible agency code	D an..3	*	:9	9 = GS1
7064	Type of packages	O an..35		:BOX'	

Description:

This segment is used to describe the packaging for the current line item.

Example:

PAC++:X13'

PRICAT 1.2

Segments Layout

Group	SG17	Status:C	Max. occ.: 1000	PGI-SG27-SG36
Group	SG36	Status:C	Max. occ.: 999999	LIN-PIA-IMD-MEA-QTY-ALI-DTM-RFF-LOC-SG37-SG38-SG40-SG47-SG51-SG52-SG55-SG56
Group	SG47	Status:C	Max. occ.: 999	PAC-MEA
Segment	MEA	No.: 23 Status:C	Level: 4 Max. occ.: 10	Measurements

	Description	St Format	*	Example	Remarks
6311	Measurement purpose code qualifier	M an..3	*	+PD	CT = Counts PD = Physical dimensions (product ordered) SO = Storage limitation
C502	Measurement details	A			
6313	Measured attribute code	R an..3		+AAB	AAB = Unit gross weight AAJ = Number of units per pallet BNW = Number of next level trade items within inner pack BNX = Number of trade items per pallet layer LAY = Number of layers (GS1 Code) NPL = Number of layers per pallet (GS1 Code) ULY = Number of units per layer (GS1 Code)
C174	Value/range	R			
6411	Measurement unit code	M an..3		+KGM	open codeliste 6411
6314	Measurement value	O an..18		:1'	

Description:

This segment provides measurement information related to the packaging of the current line item. Physical Dimensions of the packaging (600mm x 300mm x 200mm)

Example:

MEA+PD+AAB+GRM:1200'

PRICAT 1.2

Segments Layout

Group	SG17	Status:C	Max. occ.: 1000	PGI-SG27-SG36
Group	SG36	Status:C	Max. occ.: 999999	LIN-PIA-IMD-MEA-QTY-ALI-DTM-RFF-LOC-SG37-SG38-SG40-SG47-SG51-SG52-SG55-SG56
Group	SG51	Status:C	Max. occ.: 99	EFI-COM
Segment	EFI	No.: 24 Status:M	Level: 3 Max. occ.: 1	External file link identification

	Description	St Format	*	Example	Remarks
C077	File identification	M			
1508	File name	C an..35		+IMD01 45	
C099	File details	C			
1516	File format name	M an..17		+JPG'	

Description:

Example:

EFI+IMD0145+JPG'

PRICAT 1.2

Segments Layout

Group	SG17	Status:C	Max. occ.: 1000	PGI-SG27-SG36
Group	SG36	Status:C	Max. occ.: 999999	LIN-PIA-IMD-MEA-QTY-ALI-DTM-RFF-LOC-SG37-SG38-SG40-SG47-SG51-SG52-SG55-SG56
Group	SG51	Status:C	Max. occ.: 99	EFI-COM
Segment	COM	No.: 25 Status:C	Level: 4 Max. occ.: 9	Communication contact

	Description	St Format	*	Example	Remarks
C076	Communication contact	M			
3148	Communication address identifier	M an..51		+http?://img.xzy.com/prod/IMD0145.jpg	
3155	Communication address code qualifier	M an..3	*	:AH'	AH = World Wide Web

Description:

Example:

http://img.xzy.com/prod/IMD0145.jpg:AH'

PRICAT 1.2

Segments Layout

Group	SG17	Status:C	Max. occ.: 1000	PGI-SG27-SG36
Group	SG36	Status:C	Max. occ.: 999999	LIN-PIA-IMD-MEA-QTY-ALI-DTM-RFF-LOC-SG37-SG38-SG40-SG47-SG51-SG52-SG55-SG56
Group	SG52	Status:C	Max. occ.: 99	NAD
Segment	NAD	No.: 26 Status:M	Level: 3 Max. occ.: 1	Name and address

	Description	St Format	*	Example	Remarks
3035	Party function code qualifier	M an..3	*	+MF	ACD = Party has access to all non publicly available data (GS1 Code) MF = Manufacturer of goods DES = Brand owner
C082	Party identification details	R			
3039	Party identifier	M an..35		+509910455221	For identification of parties it is recommended to use GLN - Format n13.
1131	Code list identification code	N an..17		:	
3055	Code list responsible agency code	R an..3	*	:9	9 = GS1
C058	Name and address	O			This composite may only be used to fulfill the requirements of directive 2003/58/EC, article 4.
3124	Name and address description	M an..35		+	
C080	Party name	C			
3036	Party name	M an..35		+Manufacturer Name'	

Description:

This segment is used to specify names and addresses relevant to the current product.

Example:

NAD+MF+8456789000045::9++Manufacturer Name'

PRICAT 1.2

Segments Layout

Group	SG17	Status:C	Max. occ.: 1000	PGI-SG27-SG36
Group	SG36	Status:C	Max. occ.: 999999	LIN-PIA-IMD-MEA-QTY-ALI-DTM-RFF-LOC-SG37-SG38-SG40-SG47-SG51-SG52-SG55-SG56
Group	SG55	Status:C	Max. occ.: 9	DGS-FTX
Segment	DGS	No.: 27 Status:M	Level: 3 Max. occ.: 1	Dangerous goods

	Description	St Format	*	Example	Remarks
8273	Dangerous goods regulations code	R an..3	*	+ADR	ADR = European agreement regarding the total carriage of dangerous goods CFR = 49 code of federal regulations RID = Rail/road dangerous goods book (RID)
C205	Hazard code	O			
8351	Hazard identification code	M an..7		+3B	Classification according ADR/RID rules
8078	Additional hazard classification identifier	O an..7		:8	Additional according ADR/RID rules
C234	UNDG information	O			
7124	United Nations Dangerous Goods (UNDG) identifier	O n4		+1178	
C223	Dangerous goods shipment flashpoint	O			
7106	Shipment flashpoint value	O n3		+021	
6411	Measurement unit code	O an..3		:CEL	
8339	Packaging danger level code	R an..3	*	+2'	1 = Great danger 2 = Medium danger 3 = Minor danger

Description:

This segment is used to indicate whether the current line item is dangerous or hazardous. The identification of any relevant regulations concerning dangerous goods is possible in this segment.

Example:

DGS+ADR+3B:8+1178+021:CEL+2'

PRICAT 1.2

Segments Layout

Group	SG17	Status:C	Max. occ.: 1000	PGI-SG27-SG36
Group	SG36	Status:C	Max. occ.: 999999	LIN-PIA-IMD-MEA-QTY-ALI-DTM-RFF-LOC-SG37-SG38-SG40-SG47-SG51-SG52-SG55-SG56
Group	SG55	Status:C	Max. occ.: 9	DGS-FTX
Segment	FTX	No.: 28 Status:C	Level: 4 Max. occ.: 9	Free text

	Description	St Format	*	Example	Remarks
4451	Text subject code qualifier	M an..3	*	+AAC	AAC = Dangerous goods additional information AAD = Dangerous goods, technical name HAZ = Hazard information
4453	Free text function code	O an..3	*	+1	1 = Text for subsequent use
C107	Text reference	C			
4441	Free text value code	M an..17		+	
C108	Text literal	D			
4440	Free text value	M an..51		+Dangerous Goods Shipping Name	
3453	Language name code	D an..3		+DE'	ISO 639 two alpha code

Description:

This segment is used to specify any additional free text information required for the dangerous goods.

Example:

FTX+HAZ+1++Dangerous Goods Shipping Name+EN'

PRICAT 1.2

Segments Layout

Group	SG17	Status:C	Max. occ.: 1000	PGI-SG27-SG36
Group	SG36	Status:C	Max. occ.: 999999	LIN-PIA-IMD-MEA-QTY-ALI-DTM-RFF-LOC-SG37-SG38-SG40-SG47-SG51-SG52-SG55-SG56
Group	SG56	Status:C	Max. occ.: 999	HYN-QTY
Segment	HYN	No.: 29 Status:M	Level: 3 Max. occ.: 1	Hierarchy information

	Description	St Format	*	Example	Remarks
7173	Hierarchy object code qualifier	M an..3	*	+2	2 = Product
7171	Hierarchical structure relationship code	R an..3	*	+2	2 = Child This data element is used to indicate whether the item number (DE 7140) specified in this segment is a parent or child product of the current line item.
1229	Action request/notification description code	C an..3		+	
C212	Item number identification	M			
7140	Item identifier	R an..35		+541001 3111009	
7143	Item type identification code	R an..3	*	:SRV'	SRV = GS1 Global Trade Item Number

Description:

This segment is used to provide hierarchical product information related to the current line item.

Example:

HYN+2+2++5410013111009:SRV'

PRICAT 1.2

Segments Layout

Group	SG17	Status:C	Max. occ.: 1000	PGI-SG27-SG36
Group	SG36	Status:C	Max. occ.: 999999	LIN-PIA-IMD-MEA-QTY-ALI-DTM-RFF-LOC-SG37-SG38-SG40-SG47-SG51-SG52-SG55-SG56
Group	SG56	Status:C	Max. occ.: 999	HYN-QTY
Segment	QTY	No.: 30 Status:C	Level: 4 Max. occ.: 9	Quantity

	Description	St Format	*	Example	Remarks
C186	Quantity details	M			
6063	Quantity type code qualifier	M an..3	*	+17E	17E = Number of units in lower packaging or configuration level (GS1 Code)
6060	Quantity	M an..35		:9	
6411	Measurement unit code	D an..3		:KGM'	Open codelist 6411

Description:

This segment is used to specify quantity information related to the current hierarchical product.

Example:

QTY+17E:456'

PRICAT 1.2

Segments Layout

Segment **UNT** No.: 31 Level: 0 **Message trailer**
Status: M Max. occ.: 1

	Description	St Format	*	Example	Remarks
0074	Number of segments in the message	M n..6		+32	The total number of segments in the message is detailed here.
0062	Message reference number	M an..14		+1'	The message reference numbered detailed here should equal the one specified in the UNH segment.

Description:

This segment is a mandatory UN/EDIFACT segment. It must always be the last segment in the message.

Example:

Example:

UNT+97+ME000001'

PRICAT 1.2

Example

UNH+ME000001+PRICAT:D:01B:UN:EAN009'
BGM+9+PC32458+9'
DTM+137:20060309105900:204'
PGI+14+ES::5'
NAD+IPD+509910455221::9++InfProv'
LIN+1+1+5412345111115:SRV'
PIA+4+8456789900000:SRV'
PIA+1+1000040:BRI::9'
IMD+C++TU::9'
IMD+F++::CORN CRISPIES:CASE'
MEA+PD+CT+LTR:1'
MEA+PD+HT+MMT:80'
QTY+53:1000'
ALI+++172'
DTM+7:20060315000000:204'
RFF+MSS:MSS12343'
LOC+257+ES::5'
CCI+++RECYCLE::9'
CCI+++RECYCLE::9'
CAV+Y::9'
CAV+::PACKAGING MARKED RECYCLABLE SCHEME'
CCI+++ORGANIC::9'
CAV+5:OCO:9'
CAV+4:OAG:9'
CCI+++UOM::9'
CAV+KGM:OUM:9'
CAV+LTR:SUM:9'
CCI+++PACKMAT::9'
CAV+94::9'
CAV+EN:3453:9:Packaging Material Description'
TAX+7+VAT:::Mehrwertsteuer+++::7.6'
MOA+124:500'
PRI+AAB:100:CA:LIU'
CUX+2:EUR:8'
PRI+AAE:120:CA:SRP'
CUX+2:CHF:8'
PRI+INF:110:CA:MRP'
CUX+2:EUR:8'
PRI+AAB:100:CA:LIU'
CUX+2:EUR:8'
DTM+194:20060301000000:204'
PAC++:X13'
MEA+PD+AAB+GRM:1200'
EFI+IMD0145+JPG'
<http://img.xzy.com/prod/IMD0145.jpg>:AH'
NAD+MF+8456789000045::9++Manufacturer Name'
DGS+ADR+3B:8+1178+021:CEL+2'
FTX+HAZ+1++Dangerous Goods Shipping Name+EN'
HYN+2+2++5410013111009:SRV'
QTY+17E:456'

PRICAT 1.2

Example

UNT+97+ME000001'

PRICAT 1.2

List of changes

No.	Description	Segments and elements
01	10.02.2010/1.0.0: Publication version 1.0 draft	1 UNH
02	01.11.2016/1.1.0: Qualifier 92 added (WR 16-005)	15 CCI C240 3055 SG17#1\SG36#1\SG37#1
03	01.11.2016/1.1.0: 7036.1 Characteristic description added (WR 16-005)	15 CCI C240 7036 SG17#1\SG36#1\SG37#1
04	01.11.2016/1.1.0: Segments EFI + COM added (WR 16-005)	24 EFI SG17#1\SG36#1\SG51#1
05	01.11.2016/1.1.0: Qualifier U02 added (WR 16-005)	8 IMD C272 7081 SG17#1\SG36#1
06	01.11.2016/1.1.0: Publication version 1.1 final	1 UNH
07	06.07.2017/1.2.0: Publication version 1.2 final	1 UNH
08	06.07.2017/1.2.0: Open code list 7081 (WR-17-002)	8 IMD C272 7081 SG17#1\SG36#1

GS1 Schweiz ist
der Fachverband
für nachhaltige
Wertschöpfungs-
netzwerke.

GS1 Switzerland
Länggassstrasse 21
CH-3012 Bern
T +41 58 800 70 00
M info@gs1.ch
www.gs1.ch



Kompetenzplattform Ganzheitlich denken - Ressourcen schonen



Kompetenzvermittlung Wissen vermitteln - Kompetenz steigern



Kollaboration Zusammenarbeit fördern - Wertschöpfung verbessern



Standards Standards nutzen - Effizienz erhöhen



Nachhaltigkeit Ganzheitlich denken - Ressourcen schonen