

GS1 System

Ideal-Message RETANN 4.0.0

03.01.2019

Based on EANCOM ® 2002

RETANN 4.0

Documentation conventions

Format and pictures

as described in column "Format" of segment details

Character type:

a :alphabetic characters
n :numeric characters
an :alpha-numeric characters

Size:

Fixed : all positions must be used
Variable : positions may be used up to a specified maximum

Examples:

as described in column "St" of segment details

Status indicators

as described in column "St" of segment details

(R)equired

Indicates that the entity is required and must be sent. (This status is set by EANCOM®.)

(C)onditional

Indicates that the entity is conditional and may be sent at the discretion of the user.

(D)ependent

Indicates that the entity must be sent in certain conditions, as defined by the relevant explanatory note.

(N)ot used

Indicates that the entity is not used.

Restriction indicators

as described in column "R" of segment details

Restricted (*)

A data element marked with an asterisk (*) in the fourth column of the segment details of a message indicates that the listed codes in column five are the only codes available for use with the data element at the same level as the asterisk, in the current segment, in the current message.

Open

All data elements in which coded representation of data is possible, and in which a restricted set of code values is not indicated, are open. The available codes are listed in the Data Elements and Code Sets Directory (Part III of this manual). Code values may be given as examples or there may be a note on the format or type of code to be used.

RETANN 4.0

Message description

A message by which a party announces to another party details of goods for return due to specified reasons (e.g. returns for repair, returns because of damage, etc.).

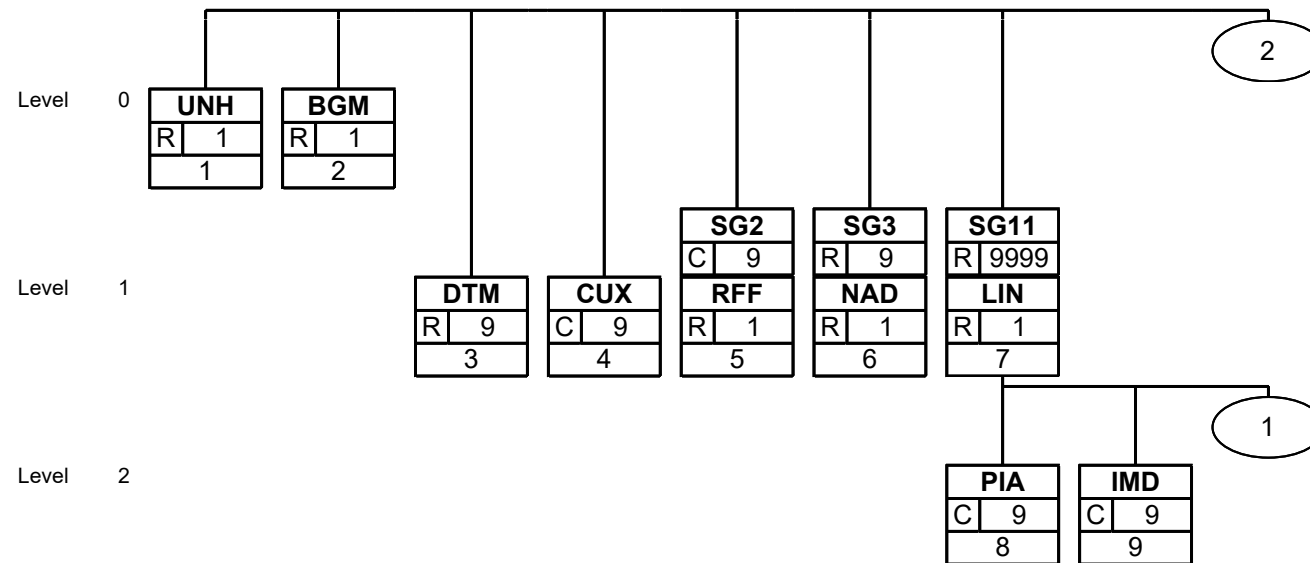
There is one RETANN message for each branch.

The original role of the partners (Buyer, Seller) involved remains in this message (analogous to ORDERS, DESADV), even if it is a return shipment.

Ideal-Message Switzerland

RETANN 4.0

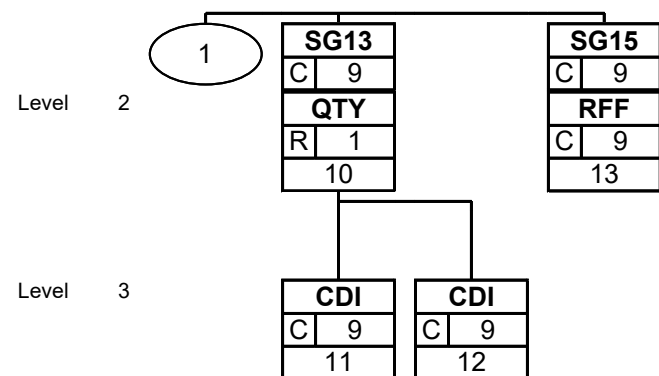
Branching diagram



Ideal-Message Switzerland

RETANN 4.0

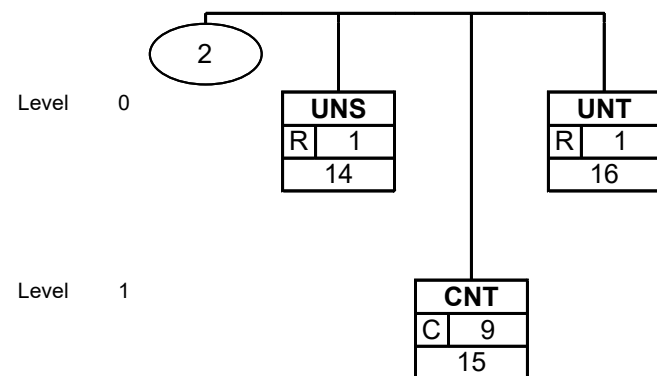
Branching diagram



Ideal-Message Switzerland

RETANN 4.0

Branching diagram



Ideal Message Switzerland

RETANN 4.0

Segments Layout

Segment **UNH** No.: 1 Level: 0 Message header
 Status: R Max. occ.: 1

Description Message header

Description of Segment:

	Description	St Format	*	Example	Remarks
0062	Message reference number	R an..14		+1000001	Senders unique message reference. Sequence number of the messages in the interchange. DE 0062 in the UNT will be identical. Sender generated. Numbers in ascending order without gaps.
S009	Message identifier	R			
0065	Message type	R an..6	*	+RETANN	RETAN = Announcement for returns message
0052	Message version number	R an..3	*	:D	D = Draft version/UN/EDIFACT Directory
0054	Message release number	R an..3	*	:01B	01B = Release 2001 - B
0051	Controlling agency	R an..2	*	:UN	UN = UN/CEFACT
0057	Association assigned code	R an..6	*	:EAN003'	EAN003 = EAN version control number (EAN Code)

Description:

This segment is used to head, identify and specify a message.

Example:

UNH+1000001+RETANN:D:01B:UN:EAN003'

Ideal Message Switzerland

RETANN 4.0

Segments Layout

Segment **BGM** No.: 2 Level: 0 Beginning of message
 Status: R Max. occ.: 1

Description Beginning of message

Description of Segment:

	Description	St Format	*	Example	Remarks
C002	Document/message name	R			
1001	Document name code	R an..3	*	+70E	70E = Announcement for returns (GS1 Code)
1131	Code list identification code	N an..17		:	
3055	Code list responsible agency code	R an..3	*	:9	9 = EAN (International Article Numbering association) Da der Code 70E ein GS1-Code (vormals EAN-Code) ist, muss hier der Code 9 zwingend übermittelt werden.
C106	Document/message identification	R			
1004	Document identifier	R an..35		+665	
1225	Message function code	R an..3	*	+9'	9 = Original 31 = Copy

Description:

This segment is used to indicate the type and function of a message and to transmit the identifying number.

Example:

BGM+70E::9+665+9'

Ideal Message Switzerland

RETANN 4.0

Segments Layout

Segment **DTM** No.: 3 Level: 1 Date/time/period
 Status: R Max. occ.: 9

Description Date/time/period

Description of Segment:

	Description	St Format	*	Example	Remarks
C507	Date/time/period	R			
2005	Date or time or period function code qualifier	R an..3	*	+137	35 = Delivery date/time, actual 137 = Document/message date/time 234 = Collection date/time, earliest 235 = Collection date/time, latest Code value 137 is required
2380	Date or time or period value	R an..35		: 2006013 1194530	
2379	Date or time or period format code	R an..3	*	:204'	204 = CCYYMMDDHHMMSS

Description:

This segment is used to specify any dates applicable to the complete announcement for returns message.

Example:

DTM+137:20060131194530:204'

Ideal Message Switzerland

RETANN 4.0

Segments Layout

Segment **CUX** No.: 4 Level: 1 Currencies
 Status: C Max. occ.: 9

Description Currencies

Description of Segment:

	Description	St Format	*	Example	Remarks
C504	Currency details	R			
6347	Currency usage code qualifier	R an..3	*	+2	2 = Reference Currency
6345	Currency identification code	C an..3		:CHF	ISO 4217 three letter code
6343	Currency type code qualifier	C an..3	*	:9'	9 = Order currency

Description:

This segment is used to specify currency information for the complete order. The CUX segment is mandatory for international exchanges.

Example:

CUX+2:CHF:9'

Ideal Message Switzerland

RETANN 4.0

Segments Layout

Group	SG2	Status:C	Max. occ.: 9	RFF
Segment	RFF	No.: 5 Status:R	Level: 1 Max. occ.: 1	Reference

Description Reference

Description of Segment:

	Description	St Format	*	Example	Remarks
C506	Reference	R			
1153	Reference code qualifier	R an..3	*	+ON	AAK = Despatch advice number AJS = Agreement number DQ = Delivery note number ON = Order number (buyer)
1154	Reference identifier	R an..70		:123556'	

Description:

This segment is used to specify any references valid for the complete announcement for returns message.

Example:

RFF+ON:123556'

Ideal Message Switzerland

RETANN 4.0

Segments Layout

Group	SG3	Status:R	Max. occ.: 9	NAD
Segment	NAD	No.: 6 Status:R	Level: 1 Max. occ.: 1	Name and address

Description Name and address

Description of Segment:

	Description	St Format	*	Example	Remarks
3035	Party function code qualifier	R an..3	*	+BY	BE = Beneficiary BY = Buyer PW = Despatch party SU = Supplier UC = Ultimate consignee
C082	Party identification details	R			
3039	Party identifier	R an..35		+761080 8004464	GLN-Format n13
1131	Code list identification code	N an..17		:	
3055	Code list responsible agency code	R an..3	*	:9'	9 = EAN (International Article Numbering association)

Description:

This segment is used to identify the parties involved in the announcement for return process.

Example:

NAD+BY+7610808004464::9'

Ideal Message Switzerland

RETANN 4.0

Segments Layout

Group **SG11** Status:R Max. occ.: 9999 LIN-PIA-IMD-SG13-SG15

Segment **LIN** No.: 7 Level: 1 Line item
 Status:R Max. occ.: 1

Description Line item

Description of Segment:

	Description	St Format	*	Example	Remarks
1082	Line item identifier	R an..6		+1	
1229	Action request/notification description code	N an..3		+	
C212	Item number identification	D			
7140	Item identifier	R an..35		+761234 5001159	
7143	Item type identification code	R an..3	*	:SRV'	SRV = EAN.UCC Global Trade Item Number

Description:

This segment is used to indicate the beginning of the detail section of the announcement for returns message.

Example:

LIN+1++7612345001159:SRV'

Ideal Message Switzerland

RETANN 4.0

Segments Layout

Group **SG11** Status:R Max. occ.: 9999 LIN-PIA-IMD-SG13-SG15

Segment **PIA** No.: 8 Level: 2 Additional product id
Status:C Max. occ.: 9

Description Additional product id

Description of Segment:

	Description	St Format	*	Example	Remarks
4347	Product identifier code qualifier	R an..3	*	+1	1 = Additional identification 5 = Product identification
C212	Item number identification	R			
7140	Item identifier	R an..35		+ABC53 43	
7143	Item type identification code	R an..3	*	:IN'	GB = Buyer's internal product group code IN = Buyer's item number SA = Supplier's article number SRV = EAN.UCC Global Trade Item Number

Description:

This segment is used to specify additional or substitutional item identification codes such as a buyer's or supplier's item number.

Example:

PIA+1+ABC5343:IN'

Ideal Message Switzerland

RETANN 4.0

Segments Layout

Group **SG11** Status:R Max. occ.: 9999 LIN-PIA-IMD-SG13-SG15

Segment **IMD** No.: 9 Level: 2 Item description
Status:C Max. occ.: 9

Description Item description

Description of Segment:

	Description	St Format	*	Example	Remarks
7077	Description format code	C an..3	*	+F	F = Free-form
C272	Item characteristic	C			
7081	Item characteristic code	C an..3		+	
C273	Item description	A			
7009	Item description code	C an..17		+CU	CU = Consumer unit (EAN Code)
1131	Code list identification code	C an..17		:	
3055	Code list responsible agency code	D an..3		:9	9 = EAN (International Article Numbering association) Code 9 muss benutzt werden falls in C273. 7009 CU übermittelt wird, da es sich dabei um einen GS1-Code (EAN-Code) handelt.
7008	Item description	C an..25		:Corn Crispies	
7008	Item description	C an..25		:250 gr'	

Description:

This segment is used to describe the current line item.

Example:

IMD+F++CU::9:Corn Crispies:250 gr'

Ideal Message Switzerland

RETANN 4.0

Segments Layout

Group	SG11	Status:R	Max. occ.: 9999	LIN-PIA-IMD-SG13-SG15
Group	SG13	Status:C	Max. occ.: 9	QTY-CDI
Segment	QTY	No.: 10 Status:R	Level: 2 Max. occ.: 1	Quantity

Description Quantity

Description of Segment:

	Description	St Format	*	Example	Remarks
C186	Quantity details	R			
6063	Quantity type code qualifier	R an..3	*	+61	46 = Delivered quantity 61 = Return quantity 119 = Short shipped
6060	Quantity	R an..35		:12	
6411	Measurement unit code	D an..3		:KGM'	KGM = kilogram LTR = litre MTR = metre D:This DE is only used if the product being identified is of variable quantity.

Description:

This segment is used to specify any relevant quantities for the current line item.

Example:

QTY+61:12:KGM'

Ideal Message Switzerland

RETANN 4.0

Segments Layout

Group	SG11	Status:R	Max. occ.: 9999	LIN-PIA-IMD-SG13-SG15
Group	SG13	Status:C	Max. occ.: 9	QTY-CDI
Segment	CDI	No.: 11 Status:C	Level: 3 Max. occ.: 9	Physical or logical state

Description Physical or logical state

Description of Segment:

	Description	St Format	*	Example	Remarks
7001	Physical or logical state type code qualifier	R an..3	*	+3E	3E = Upon return (EAN Code)
C564	Physical or logical state information	R			
7007	Physical or logical state description code	A an..3	*	+12E	12E = Return goods (EAN Code) 14E = Destroy goods (EAN Code)
1131	Code list identification code	C an..17	:	:	
3055	Code list responsible agency code	D an..3	*	:9'	9 = EAN (International Article Numbering association)

Description:

This segment is used to indicate conditions (actions) requested by the message sender for the current line item.

Im CDI-Segment mit dem Qualifier 9 in C564.3055 wird übermittelt, ob die Ware retourniert oder vernichtet wird.

Example:

CDI+3E+12E::9'

Ideal Message Switzerland

RETANN 4.0

Segments Layout

Group	SG11	Status:R	Max. occ.: 9999	LIN-PIA-IMD-SG13-SG15
Group	SG13	Status:C	Max. occ.: 9	QTY-CDI
Segment	CDI	No.: 12 Status:C	Level: 3 Max. occ.: 9	Physical or logical state

Description Physical or logical state

Description of Segment:

	Description	St Format	*	Example	Remarks
7001	Physical or logical state type code qualifier	R an..3	*	+3E	3E = Upon return (EAN Code)
C564	Physical or logical state information	R			
7007	Physical or logical state description code	A an..3	*	+300	100 = Qualität 200 = Menge 300 = Verpackung 400 = Deklaration 900 = Diverse Bei diesen Codes handelt es sich um eine CH-Codeliste
1131	Code list identification code	C an..17	:	:	
3055	Code list responsible agency code	D an..3	*	:92	92 = Assigned by buyer or buyer's agent
7006	Physical or logical state description	C an..70	:	: Packung defekt'	Hier wird die detaillierte Beschreibung der Beanstandung übermittelt.

Description:

This segment is used to indicate conditions (actions) requested by the message sender for the current line item.

Im CDI-Segment mit dem Qualifier 92 in C564.3055 wird der Grund der Beanstandung übermittelt. Die detaillierte Beschreibung der Beanstandung erfolgt in Feld C564.7006.

Example:

CDI+3E+300::92:Packung defekt'

Ideal Message Switzerland

RETANN 4.0

Segments Layout

Group	SG11	Status:R	Max. occ.: 9999	LIN-PIA-IMD-SG13-SG15
Group	SG15	Status:C	Max. occ.: 9	RFF
Segment	RFF	No.: 13 Status:C	Level: 2 Max. occ.: 9	Reference

Description Reference

Description of Segment:

	Description	St Format	*	Example	Remarks
C506	Reference	R			
1153	Reference code qualifier	R an..3	*	+PD	PD = Promotion deal number
1154	Reference identifier	R an..70		: 9478004 '3'	

Description:

This segment is used to provide references specific to the line item and overrides any global references provided in the heading section of the message when the same qualifier is used here.

Example:

RFF+PD:94780043'

Ideal Message Switzerland

RETANN 4.0

Segments Layout

Segment **CNT** No.: 15 Level: 1 Control total
 Status: C Max. occ.: 9

Description Control total

Description of Segment:

	Description	St Format	*	Example	Remarks
C270	Control	R			
6069	Control total type code qualifier	R an..3	*	+2	2 = Number of line items in message
6066	Control total value	R n..18		:2'	

Description:

This is used to provide message control information for checking on the message receivers in-house system.

Example:

CNT+2:120'

Ideal-Message Switzerland

RETANN 4.0

List of changes

No.	Description	Segments and elements	
01	03.01.2019: CUX segemten added (CR 17-003)	4	CUX
02	03.01.2019: Publication version 4.0.0	1	UNH

GS1 Schweiz ist
der Fachverband
für nachhaltige
Wertschöpfungs-
netzwerke.

GS1 Switzerland
Monbijoustrasse 68
CH-3007 Bern
T +41 58 800 70 00
M info@gs1.ch
www.gs1.ch



Kompetenzplattform Ganzheitlich denken - Ressourcen schonen



Kompetenzvermittlung Wissen vermitteln - Kompetenz steigern



Kollaboration Zusammenarbeit fördern - Wertschöpfung verbessern



Standards Standards nutzen - Effizienz erhöhen



Nachhaltigkeit Ganzheitlich denken - Ressourcen schonen