

GS1 System

Ideal-Message SLSRPT 4.0.0

incl. bilateral agreements

05.08.2015

Based on EANCOM[®] 2002

Zusammen Werte schaffen

Documentation conventions

Format and pictures

as described in column "Format" of segment details

Character type:

a :alphabetic characters
n :numeric characters
an :alpha-numeric characters

Size:

Fixed : all positions must be used
Variable : positions may be used up to a specified maximum

Examples:

as described in column "St" of segment details

Status indicators

as described in column "St" of segment details

(R)equired

Indicates that the entity is required and must be sent. (This status is set by EANCOM®.)

(C)onditional

Indicates that the entity is conditional and may be sent at the discretion of the user.

(D)ependent

Indicates that the entity must be sent in certain conditions, as defined by the relevant explanatory note.

(N)ot used

Indicates that the entity is not used.

Restriction indicators

as described in column "R" of segment details

Restricted (*)

A data element marked with an asterisk (*) in the fourth column of the segment details of a message indicates that the listed codes in column five are the only codes available for use with the data element at the same level as the asterisk, in the current segment, in the current message.

Open

All data elements in which coded representation of data is possible, and in which a restricted set of code values is not indicated, are open. The available codes are listed in the Data Elements and Code Sets Directory (Part III of this manual). Code values may be given as examples or there may be a note on the format or type of code to be used.

SLSRPT

4.0.0

incl. bilateral agreements

Message description

This message is enabling companies to exchange or report electronically, basic sales data related to products or services, including the corresponding location, time period, product identification, pricing and quantity information.

Structure of message:

Location of the sale 1

Product identification 1

Quantity and/or value of the sales

Quantity and/or value of the sales

Location of the sale 2

Product identification 2

Quantity and/or value of the sales

Product identification 3

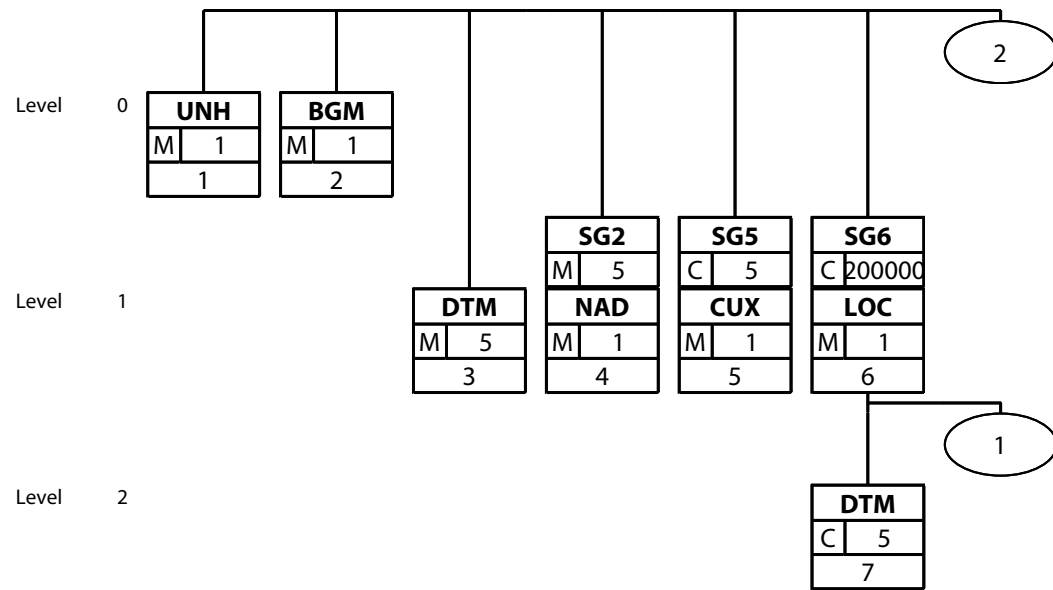
Quantity and/or value of the sales

....

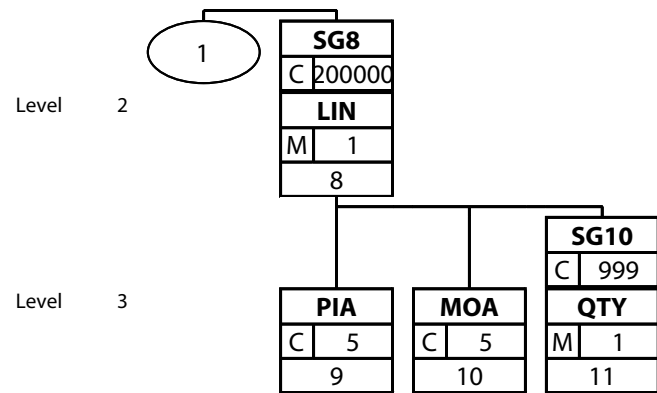
SLSRPT 4.0.0

incl. bilateral agreements

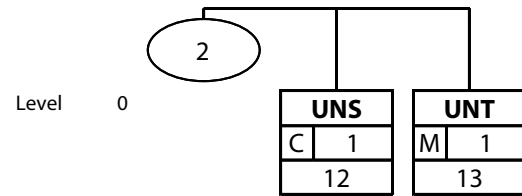
Branching diagram



Branching diagram



Branching diagram



SLSRPT 4.0.0

Segments Layout

Segment **UNH** No.: 1 Level: 0 **Message header**
 Status: M Max. occ.: 1

Description **Message header**

Description of Segment:

	Description	St Format	*	Example	Remarks
0062	Message reference number	M an..14		+123	Senders unique message reference. Sequence numbers of messages in the interchange, DE 0062 in the UNT will have the same value. Generated by the sender.
S009	Message identifier	M			
0065	Message type	M an..6	*	+SLSRPT	SLSRPT = Sales data report message
0052	Message version number	M an..3	*	:D	D = Draft version/UN/EDIFACT Directory
0054	Message release number	M an..3	*	:01B	01B = Release 2001 - B
0051	Controlling agency, coded	M an..3	*	:UN	UN = UN/CEFACT
0057	Association assigned code	R an..6	*	:EAN006'	

Description:

DE's 0065, 0052, 0054, and 0051: Indicate that the message is a Sales Data Report based on the EDIFACT D.01B directory under the control of the United Nations.

Example:

UNH+123+SLSRPT:D:01B:UN:EAN006'

SLSRPT 4.0.0

Segments Layout

Segment **BGM** No.: 2 Level: 0 Beginning of message
 Status: M Max. occ.: 1

Description Beginning of message

Description of Segment:

	Description	St Format	*	Example	Remarks
C002	Document/message name	R			
1001	Document name code	R an..3	*	+73E	73E = Sales data report (GS1 Code)
1131	Code list identification code	N an..17		:	
3055	Code list responsible agency code	R an..3	*	:9	9 = GS1 73E is a GS1 Code. Therefore Code 9=GS1 must be used
C106	Document/message identification	R			
1004	Document identifier	R an..35		+1568	Sales Data Report number assigned by the document sender.
1225	Message function code	R an..3	*	+9'	9 = Original

Description:

All references other than the document number DE 1004 are in the RFF segment (segment group 1).

Example:

BGM+73E::9+1568+9'

SLSRPT 4.0.0

Segments Layout

Segment **DTM** No.: 3 Level: 1 Date/time/period
 Status: M Max. occ.: 5

Description **Date/time/period**

Description of Segment:

	Description	St Format	*	Example	Remarks
C507	Date/time/period	M			
2005	Date or time or period function code qualifier	M an..3	*	+137	90 = Report start date 91 = Report end date 137 = Document/message date/time 356 = Sales date, and or time, and or period
2380	Date or time or period value	R an..35		: 2006033 1203035	
2379	Date or time or period format code	R an..3	*	:204'	204 = CCYYMMDDHHMMSS 718 = CCYYMMDD-CCYYMMDD Code 718 can be used with DTM-Qualifier 356 for identifying a period

Description:

DE 2005: Identification of the 'Document/message date/time' (code value 137) is mandatory in an EANCOM message.

The sales data report is dated the 31st March 2006 at 20:30:35 hrs.

Example:

DTM+137:20060331203035:204'

SLSRPT 4.0.0

Segments Layout

Group **SG2** Status: M Max. occ.: 5 NAD

Segment **NAD** No.: 4 Level: 1 Name and address
 Status: M Max. occ.: 1

Description Name and address

Description of Segment:

	Description	St Format	*	Example	Remarks
3035	Party function code qualifier	M an..3	*	+MR	BY = Buyer MR = Message recipient MS = Document/message issuer/sender SU = Supplier
C082	Party identification details	A			
3039	Party identifier	M an..35		+761234 5000183	
1131	Code list identification code	C an..17		:	
3055	Code list responsible agency code	R an..3	*	:9'	9 = GS1

Description:

Example:

NAD+MR+7612345000183::9'

SLSRPT 4.0.0

Segments Layout

Group	SG5	Status: C	Max. occ.: 5	CUX
Segment	CUX	No.: 5 Status: M	Level: 1 Max. occ.: 1	Currencies

Description Currencies

Description of Segment:

	Description	St Format	*	Example	Remarks
C504	Currency details	R			
6347	Currency usage code qualifier	M an..3	*	+2	2 = Reference currency
6345	Currency identification code	R an..3		:EUR'	CHF = Swiss Franc EUR = Euro USD = US Dollar ISO 4217 three alpha code On national level: State only when not CHF On international level: State always

Description:

The CUX segment is mandatory for international exchange.

When specifying Reference and Target Currencies for international trade, one occurrence of CUX is all that is required. The reference currency is identified in the first occurrence of the composite C504, with the target currency specified in the second occurrence of C504. The rate of exchange between the two is detailed in the DE 5402.

The general rule for calculating rate of exchange is as follows:

Reference Currency multiplied by Rate = Target Currency.

Example:

CUX+2:EUR'

SLSRPT 4.0.0

Segments Layout

Group **SG6** Status: C Max. occ.: 200000 LOC-DTM-SG8

Segment **LOC** No.: 6 Level: 1 Place/location identification
 Status: M Max. occ.: 1

Description Place/location identification

Description of Segment:

	Description	St Format	*	Example	Remarks
3227	Location function code qualifier	M an..3	*	+162	162 = Place or location of sale
C517	Location identification	A			
3225	Location name code	A an..25		+761234 5002170	
1131	Code list identification code	C an..17		:	
3055	Code list responsible agency code	D an..3	*	:9'	9 = GS1

Description:

Example:

LOC+162+7612345002170::9'

SLSRPT 4.0.0

Segments Layout

Group **SG6** Status: C Max. occ.: 200000 LOC-DTM-SG8

Segment **DTM** No.: 7 Level: 2 Date/time/period
Status: C Max. occ.: 5

Description Date/time/period

Description of Segment:

	Description	St Format	*	Example	Remarks
C507	Date/time/period	M			
2005	Date or time or period function code qualifier	M an..3	*	+356	356 = Sales date, and or time, and or period
2380	Date or time or period value	R an..35		: 2005100 1200510 31	
2379	Date or time or period format code	R an..3	*	:718'	

Description:

This segment is not required if the date or period being identified here is the same as the date or period identified at heading level.

This segment is used to indicate the date or period of sale for the items which follow in the LIN sub-group (Group 8). The DTM segment can be used to specify sub-periods such as weekly sales within a monthly Sales Data Report.

This segment is not required if the date or period being identified here is the same as the date or period identified at heading level.

Example:

DTM+356:2005100120051031:718'

The period of time during which the sales for the current line item took place is from the 1st October 2005 to the 31st October 2005.

SLSRPT 4.0.0

Segments Layout

Group	SG6	Status: C	Max. occ.: 200000	LOC-DTM-SG8
Group	SG8	Status: C	Max. occ.: 200000	LIN-PIA-MOA-SG10
Segment	LIN	No.: 8 Status: M	Level: 2 Max. occ.: 1	Line item

Description Line item

Description of Segment:

	Description	St Format	*	Example	Remarks
1082	Line item identifier	R an..6		+1	Application generated number of the item lines within the Sales Data Report.
1229	Action request/notification description code	C an..3		+	
C212	Item number identification	D			
7140	Item identifier	R an..35		+761234 5000206	Format n..14 GTIN This is the number of the article whose sales are being reported.
7143	Item type identification code	R an..3	*	:SRV'	SRV = GS1

Description:

The segment group triggered by the LIN segment (Group 8) is used to provide relevant information for the products sold in terms of product identification, price, quantity, and, total value of sales.

Example:

LIN+1++7612345000206:SRV'

SLSRPT 4.0.0

Segments Layout

Group	SG6	Status: C	Max. occ.: 200000	LOC-DTM-SG8
Group	SG8	Status: C	Max. occ.: 200000	LIN-PIA-MOA-SG10
Segment	PIA	No.: 9 Status: C	Level: 3 Max. occ.: 5	Additional product id

Description Additional product id

Description of Segment:

	Description	St Format	*	Example	Remarks
4347	Product identifier code qualifier	M an..3	*	+1	1 = Additional identification 5 = Product identification
C212	Item number identification	M			
7140	Item identifier	R an..35		+W33351	
7143	Item type identification code	R an..3	*	:IN	GB = Buyer's internal product group code IN = Buyer's item number
1131	Code list identification code	N an..17		:	
3055	Code list responsible agency code	C an..3		:92'	92 = Assigned by buyer or buyer's agent

Description:

In this example the PIA segment is used to provide an additional identification to the GTIN provided in the LIN segment. The GTIN 3323456007803 provided in the LIN segment refers to the internal buyer's item number W33351.

Example:

PIA+1+W33351:IN::92'

SLSRPT 4.0.0

Segments Layout

Group	SG6	Status: C	Max. occ.: 200000	LOC-DTM-SG8
Group	SG8	Status: C	Max. occ.: 200000	LIN-PIA-MOA-SG10
Segment	MOA	No.: 10 Status: C	Level: 3 Max. occ.: 5	Monetary amount

Description Monetary amount

Description of Segment:

	Description	St Format	*	Example	Remarks
C516	Monetary amount	M			
5025	Monetary amount type code qualifier	M an..3	*	+203	203 = Line item amount
5004	Monetary amount	R n..35		:2355.45'	Amount is based on CHF unless other currency is stated on header level.

Description:

Example:

MOA+203:2355.45'

SLSRPT 4.0.0

Segments Layout

Group	SG6	Status: C	Max. occ.: 200000	LOC-DTM-SG8
Group	SG8	Status: C	Max. occ.: 200000	LIN-PIA-MOA-SG10
Group	SG10	Status: C	Max. occ.: 999	QTY
Segment	QTY	No.: 11 Status: M	Level: 3 Max. occ.: 1	Quantity

Description Quantity

Description of Segment:

	Description	St Format	*	Example	Remarks
C186	Quantity details	M			
6063	Quantity type code qualifier	M an..3	*	+26	<p>26 = Promotion quantity 153 = Statistical sales quantity 268 = Quantity held by retail outlet *</p> <p>* Code 268 is used for stating the stock and may only be used when bilaterally agreed.</p> <p>Code 153/26 may not be used on the same level.</p> <p>For promotion: LOC LIN+1 Prod A MOA QTY+153</p> <p>LIN+2 Prod A MOA QTY+26</p>
6060	Quantity	M an..35		:12	
6411	Measurement unit code	D an..3		:KGM'	D:This DE is only used if the product being identified is of variable quantity.

Description:

Example:

QTY+26:12:KGM'

SLSRPT 4.0.0

Segments Layout

Segment **UNS** No.: 12 Level: 0 Section control
 Status: C Max. occ.: 1

Description Section control

Description of Segment:

	Description	St Format	*	Example	Remarks
0081	Section identification	M a1		+S'	

Description:

Example:

UNS+S'

SLSRPT 4.0.0

Segments Layout

Segment **UNT** No.: 13 Level: 0 **Message trailer**
 Status: M Max. occ.: 1

Description **Message trailer**

Description of Segment:

	Description	St Format	*	Example	Remarks
0074	Number of segments in a message	M n..10		+13	The total number of segments in the message is detailed here.
0062	Message reference number	M an..14		+123'	The message reference numbered detailed here should equal the one specified in the UNH segment.

Description:

Example:

UNT+24+1'

SLSRPT 4.0.0 incl. bilateral agreements

List of changes

No.	Description	Segments and elements
01	27.10.2005/3.0.0: Publication Version 3.0.0	1 UNH
02	18.01.2006/3.1.0: Segment UNS inserted	1 UNH
03	23.01.2008/3.2.0: Insertion code 268 (CR 07-005)	11 QTY C186 6063 SG6#1\SG8#1\SG10#1
04	05.08.2015/4.0.0: Publication Version 4.0.0 (New Layout only)	1 UNH

GS1 Schweiz ist
der Fachverband
für nachhaltige
Wertschöpfungs-
netzwerke.

GS1 Switzerland
Monbijoustrasse 68
3007 Bern
T +41 58 800 70 00
M info@gs1.ch
www.gs1.ch



Kompetenzplattform Ganzheitlich denken - Ressourcen schonen



Kompetenzvermittlung Wissen vermitteln - Kompetenz steigern



Kollaboration Zusammenarbeit fördern - Wertschöpfung verbessern



Standards Standards nutzen - Effizienz erhöhen



Nachhaltigkeit Ganzheitlich denken - Ressourcen schonen