



The Global Language of Business

GS1 System

INSDS - Instruction to Despatch

4.2.0 - 01.07.2016

Ideal-Message / Based on EANCOM 2002®



INSDES 4.2.0

Documentation conventions

Format and pictures

as described in column "Format" of segment details

Character type:

a :alphabetic characters
n :numeric characters
an :alpha-numeric characters

Size:

Fixed : all positions must be used
Variable : positions may be used up to a specified maximum

Examples:

an6 = alfa-numeric length: 6 fixed
n6 = numeric length: 6 fixed
an..35 = alfanumceric length: 35 variable

Status indicators

as described in column "St" of segment details

(R)equired

Indicates that the entity is required and must be sent. (This status is set by EANCOM@.)

(C)onditional

Indicates that the entity is conditional and may be sent at the discretion of the user.

(D)ependent

Indicates that the entity must be sent in certain conditions, as defined by the relevant explanatory note.

(N)ot used

Indicates that the entity is not used.

Restriction indicators

as described in column "R" of segment details

Restricted (*)

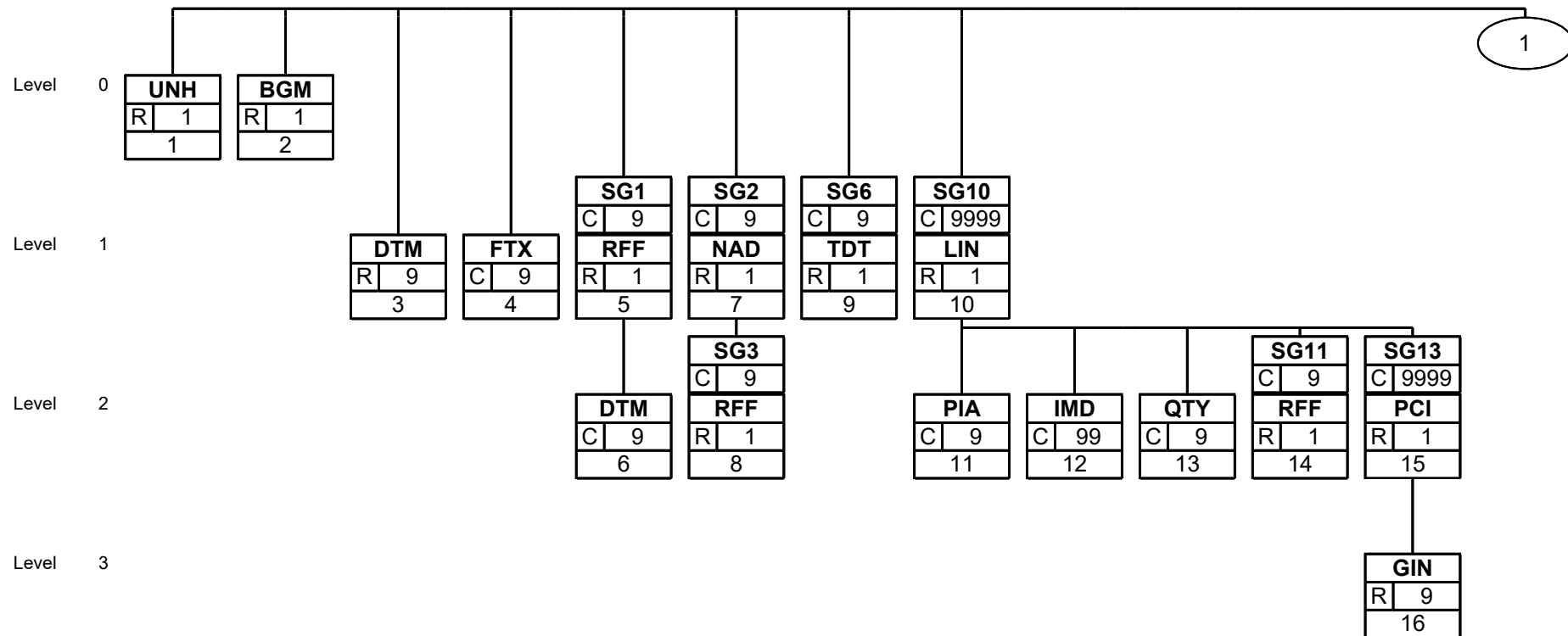
A data element marked with an asterisk (*) in the fourth column of the segment details of a message indicates that the listed codes in column five are the only codes available for use with the data element at the same level as the asterisk, in the current segment, in the current message.

Open

All data elements in which coded representation of data is possible, and in which a restricted set of code values is not indicated, are open. The available codes are listed in the Data Elements and Code Sets Directory (Part III of this manual). Code values may be given as examples or there may be a note on the format or type of code to be used.

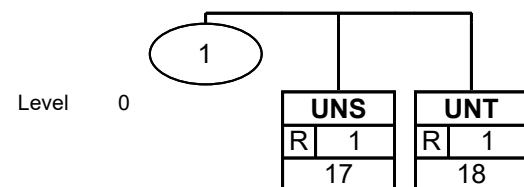
INSDES 4.2.0

Branching diagram



INSDES 4.2.0

Branching diagram



INSDES 4.2.0

Segments Layout

Segment **UNH** No.: 1 Level: 0 Message header
 Status: R Max. occ.: 1

Description Message header

Description of Segment:

	Description	St Format	*	Example	Remarks
0062	Message reference number	R an..14		+389443	Senders unique message reference. Sequence number of the messages in the interchange. DE 0062 in the UNT will be identical. Sender generated. Numbers in ascending order without gaps.
S009	Message identifier	R			
0065	Message type	R an..6	*	+INSDES	INSDDES = Instruction to despatch message
0052	Message version number	R an..3	*	:D	D = Draft version/UN/EDIFACT Directory
0054	Message release number	R an..3	*	:01B	01B = Release 2001 - B
0051	Controlling agency	R an..2	*	:UN	UN = UN/CEFACT
0057	Association assigned code	R an..6	*	:EAN003'	EAN003 = GS1 version control number (GS1 Code)

Description:

This segment is used to head, identify and specify a message.

DE's 0065, 0052, and 0054: Indicates that the message is a UNSM Instruction to Despatch message based on the EDIFACT D.01B directory.

Example:

UNH+389443+INSDDES:D:01B:UN:EAN003'

INSDES 4.2.0

Segments Layout

Segment **BGM** No.: 2 Level: 0 **Beginning of message**
 Status: R Max. occ.: 1

Description Beginning of message

Description of Segment:

	Description	St Format	*	Example	Remarks
C002	Document/message name	R			
1001	Document name code	R an..3	*	+240	240 = Delivery instructions Code 240 = A message from a party to another party who has control over ordered goods, providing instructions to despatch a consignment according to conditions specified in the message.
C106	Document/message identification	R			
1004	Document identifier	R an..35		+639913	Instruction to despatch number assigned by the document sender.
1225	Message function code	R an..3	*	+9'	9 = Original

Description:

This segment is used to indicate the type and function of a message and to transmit the identifying number.

All references other than the document number DE 1004 are to be put in the RFF segment.

Example:

BGM+240+639913+9'

INSDES 4.2.0

Segments Layout

Segment **DTM** No.: 3 Level: 1 Date/time/period
 Status: R Max. occ.: 9

Description Date/time/period

Description of Segment:

	Description	St Format	*	Example	Remarks
C507	Date/time/period	R			
2005	Date or time or period function code qualifier	R an..3	*	+137	17 = Delivery date/time, estimated 63 = Delivery date/time, latest 64 = Delivery date/time, earliest 76 = Delivery date/time, scheduled for 137 = Document/message date/time
2380	Date or time or period value	R an..35		: 2013061 5100000	
2379	Date or time or period format code	R an..3	*	:204'	204 = CCYYMMDDHHMMSS

Description:

This segment is used to specify any dates applicable to the complete instruction to despatch message.
 DE 2005: Identification of the 'Document/message date/time' (code value 137) is mandatory in an EANCOM message.

Example:

DTM+137:20130615100000:204'

INSDES 4.2.0

Segments Layout

Segment **FTX** No.: 4 Level: 1 Free text
 Status: C Max. occ.: 9

Description Free text

Description of Segment:

	Description	St Format	*	Example	Remarks
4451	Text subject code qualifier	R an..3	*	+TRA	TRA = Transportation information
4453	Free text function code	C an..3		+	
C107	Text reference	C			
4441	Free text value code	R an..17		+	
C108	Text literal	C			
4440	Free text value	R an..51		+Transport information	
4440	Free text value	C an..51		:	
4440	Free text value	C an..51		:	
4440	Free text value	C an..51		:	
4440	Free text value	C an..51		:X'	

Description:

Example:

FTX+TRA+++Transport information'

INSDES 4.2.0

Segments Layout

Group **SG1** Status:C Max. occ.: 9 RFF-DTM

Segment **RFF** No.: 5 Level: 1 **Reference**
 Status:R Max. occ.: 1

Description Reference

Description of Segment:

	Description	St Format	*	Example	Remarks
C506	Reference	R			
1153	Reference code qualifier	R an..3	*	+ON	ON = Order number (buyer) VN = Order number (supplier)
1154	Reference identifier	R an..70		:135333'	

Description:

This segment is used to specify references relating to the instruction to despatch.

Example:

RFF+ON:135333'

INSDES 4.2.0

Segments Layout

Group	SG1	Status:C	Max. occ.: 9	RFF-DTM
Segment	DTM	No.: 6 Status:C	Level: 2 Max. occ.: 9	Date/time/period

Description Date/time/period

Description of Segment:

	Description	St Format	*	Example	Remarks
C507	Date/time/period	R			
2005	Date or time or period function code qualifier	R an..3	*	+171	171 = Reference date/time
2380	Date or time or period value	R an..35		: 2013051 5121528	
2379	Date or time or period format code	R an..3		:204'	204 = CCYYMMDDHHMMSS

Description:

This segment is used to specify any dates related to the previous RFF segment.

Example:

DTM+171:20130515121528:204'

INSDES 4.2.0

Segments Layout

Group	SG2	Status:C	Max. occ.: 9	NAD-SG3
Segment	NAD	No.: 7 Status:R	Level: 1 Max. occ.: 1	Name and address

Description Name and address

Description of Segment:

	Description	St Format	*	Example	Remarks
3035	Party function code qualifier	R an..3	*	+BY	BY = Buyer DP = Delivery party LSP = Logistic Service Provider (GS1 Code) PW = Despatch party UC = Ultimate consignee SU = Supplier WH = Warehouse keeper
C082	Party identification details	D			
3039	Party identifier	R an..35		+509910 4000129	Format n13
1131	Code list identification code	C an..17		:	
3055	Code list responsible agency code	R an..3	*	:9	9 = GS1
C058	Name and address	N			
3124	Name and address description	N an..35		+	
C080	Party name	C			This segment group may only be used with the qualifier UC (ultimate consignee) to transmit home addresses of persons without GLN.
3036	Party name	R an..35		+Frau	
3036	Party name	C an..35		:Cornelia Muster	
3036	Party name	C an..35		:	
3036	Party name	C an..35		:	
3036	Party name	C an..35		:X	
C059	Street	C			This segment group may only be used with the qualifier UC (ultimate consignee) to transmit home addresses of persons without GLN.
3042	Street and number or post office box identifier	R an..35		+Ohnew ertstrass e 12	
3042	Street and number or post office box identifier	C an..35		:	

INSDES 4.2.0

Segments Layout

	Description	St Format	*	Example	Remarks	
3042	Street and number or post office box identifier	C an..35		:	This field may only be used with the qualifier UC (ultimate consignee) to transmit home addresses of persons without GLN.	
3042	Street and number or post office box identifier	C an..35		:X		
3164	City name	C an..35		+Hinterkappelen		
C819	Country sub-entity details	C				
3229	Country sub-entity name code	C an..9		+		
3251	Postal identification code	C an..17		+3032		This field may only be used with the qualifier UC (ultimate consignee) to transmit home addresses of persons without GLN.
3207	Country name code	C an..3		+CH'		This field may only be used with the qualifier UC (ultimate consignee) to transmit home addresses of persons without GLN.

Description:

This segment is used to identify the trading partners involved in the instruction to despatch message. Identification of the supplier/third party service provider and the ordering party is mandatory in the instruction to despatch. Identification of the delivery party is mandatory at line level if the delivery party has not been previously identified in the NAD segment at heading level.

Dependency Notes:

The following composites and data elements are only used when a coded name and address can not be used. The affected composites and data elements are as follows:

C080 - C059 - 3164 - C819 - 3251 - 3207

Example:

NAD+BY+5099104000129::9'

NAD+SU+5412345123450::9'

NAD+UC+++Frau:Cornelia Muster+Ohnewertstrasse 12+Hinterkappelen++3032+CH'

INSDES 4.2.0

Segments Layout

Group	SG2	Status:C	Max. occ.: 9	NAD-SG3
Group	SG3	Status:C	Max. occ.: 9	RFF
Segment	RFF	No.: 8 Status:R	Level: 2 Max. occ.: 1	Reference

Description Reference

Description of Segment:

	Description	St Format	*	Example	Remarks
C506	Reference	R			
1153	Reference code qualifier	R an..3	*	+YC1	YC1 = Additional party identification (GS1 Code)
1154	Reference identifier	R an..70		:395993'	

Description:

This segment is used to specify references related to the party identified in the previous NAD segment.

Example:

RFF+YC1:395993'

INSDES 4.2.0

Segments Layout

Group	SG6	Status:C	Max. occ.: 9	TDT
Segment	TDT	No.: 9 Status:R	Level: 1 Max. occ.: 1	Details of transport

Description Details of transport

Description of Segment:

	Description	St Format	*	Example	Remarks
8051	Transport stage code qualifier	R an..3	*	+20	20 = Main-carriage transport
8028	Means of transport journey identifier	C an..17		+405584	Reference number covering the transport.
C220	Mode of transport	D			
8067	Transport mode name code	R an..3	*	+20'	20 = Rail transport 30 = Road transport

Description:

This segment is used to specify transport services required by the message sender to despatch the products.

Dependency Notes:

Data Elements 8179 and 8178 are only used when the type of transport must be specifically identified, that is, when a generic description such as road transport is unsuitable.

Example:

TDT+20+405584+20'

INSDES 4.2.0

Segments Layout

Group **SG10** Status:C Max. occ.: 9999 LIN-PIA-IMD-QTY-SG11-SG13

Segment **LIN** No.: 10 Level: 1 Line item
 Status:R Max. occ.: 1

Description Line item

Description of Segment:

	Description	St Format	*	Example	Remarks
1082	Line item identifier	R an..6		+1	Application generated number of the item lines within the instruction to despatch. Numbers in ascending order without gaps starting with 1.
1229	Action request/notification description code	N an..3		+	
C212	Item number identification	D			
7140	Item identifier	R an..35		+7612345001159	Format n..14 GTIN- this is the number of the article being despatched. Format n..14
7143	Item type identification code	R an..3	*	:SRV'	SRV = GS1 Global Trade Item Number

Description:

This segment is used to identify the line item for which instructions for despatch are being provided.

Note: If the instruction to despatch is being provided for a full package (e.g. pallet) containing one or more products which have been allocated a serial shipping container code then only the line item number (data element 1082) should be provided in the LIN segment. The serial shipping container code to identify the full package should be specified in the GIN segment (number 21).

Note: Should it be required to provide the SSCC marked on the packaging of the article identified in the LIN segment then the GIN segment in group 13 should be used.

Instruction to despatch the product identified by the global trade item number 5412345123453.

No trade item number provided, serial shipping container code specified in the GIN segment at line level.

Dependency Notes:

C829 is only used when sub-lines are required.

FOR A COMPLETE DESCRIPTION ON THE USAGE OF SUB-LINES PLEASE REFER TO PART I, SECTION 4.10.

Example:

LIN+1++5412345123453:SRV'

INSDES 4.2.0

Segments Layout

Group **SG10** Status:C Max. occ.: 9999 LIN-PIA-IMD-QTY-SG11-SG13

Segment **PIA** No.: 11 Level: 2 Additional product id
Status:C Max. occ.: 9

Description Additional product id

Description of Segment:

	Description	St Format	*	Example	Remarks
4347	Product identifier code qualifier	R an..3	*	+1	1 = Additional identification 5 = Product identification
C212	Item number identification	R			
7140	Item identifier	R an..35		+ABF56 82	
7143	Item type identification code	R an..3	*	:GB'	GB = Buyer's internal product group code IN = Buyer's item number NB = Batch number SA = Supplier's article number SRV = GS1 Global Trade Item Number

Description:

This segment is used to identify additional product codes for the current line item.

This example details the fact that GTIN 5412345000013 is available as a substitute should the product identified in the LIN segment be unavailable.

This example details the fact that the originally ordered GTIN 5412345000013 has been replaced by the GTIN provided in the LIN segment.

Example:

PIA+1+ABF5682:GB'

In this example the PIA segment is used to provide an additional identification to the trade item number provided in the LIN segment. The GTIN 5412345123453 provided in the LIN segment refers to the internal buyer's part number ABF5682.

PIA+1+ABF5682:SA'

In this example the PIA segment is used to provide an additional identification to the global trade item number (GTIN) provided in the LIN segment. The global trade item number (GTIN) 5412345123453 provided in the LIN segment refers to the internal supplier's article number ABF5682.

PIA+1+5412345123095:SRV'

In this example the GTIN of the consumer unit is provided.

PIA+5+2209953C001L:IN'

This example details the code 2209953C001L which is the buyers product identification.

PIA+5+2209953C001L:AC'

This example details the HIBC code 2209953C001L which is provided as the primary product code because no GTIN was provided in the LIN segment.

INSDES 4.2.0

Segments Layout

Group **SG10** Status:C Max. occ.: 9999 LIN-PIA-IMD-QTY-SG11-SG13

Segment **IMD** No.: 12 Level: 2 Item description
 Status:C Max. occ.: 99

Description Item description

Description of Segment:

	Description	St Format	*	Example	Remarks
7077	Description format code	R an..3	*	+F	C = Code (from industry code list) F = Free-form
C272	Item characteristic	N			
7081	Item characteristic code	N an..3	+		
C273	Item description	C			
7009	Item description code	C an..17	*	+CU	CU = Consumer unit (GS1 Code) DU = Despatch unit (GS1 Code) TU = Traded unit (GS1 Code) VQ = Variable quantity product (GS1 Code)
1131	Code list identification code	C an..17	:	:	
3055	Code list responsible agency code	D an..3	*	:9	9 = GS1
7008	Item description	C an..25		:Corn Crispies	
7008	Item description	C an..25		:250 gr'	

Description:

This segment is used to describe the current line item. Data element 7008 in clear text should only be used when no product code is available or when free-form descriptions are required by trading partners.

Example:

IMD+C++TU::9'

IMD+F++:::CORN CRISPIES:CASE'

INSDES 4.2.0

Segments Layout

Group **SG10** Status:C Max. occ.: 9999 LIN-PIA-IMD-QTY-SG11-SG13

Segment **QTY** No.: 13 Level: 2 Quantity
 Status:C Max. occ.: 9

Description Quantity

Description of Segment:

	Description	St Format	*	Example	Remarks
C186	Quantity details	R			
6063	Quantity type code qualifier	R an..3	*	+113	21 = Ordered quantity 59 = Number of consumer units in the traded unit 113 = Quantity to be delivered The use of Qualifier 113 = Quantity to be delivered is mandatory
6060	Quantity	R an..35		:9	
6411	Measurement unit code	D an..3	*	:KGM'	KGM = kilogram LTR = litre MTR = metre

Description:

This segment is used to specify quantity information related to the current line item.

Example:

QTY+113:400'

INSDES 4.2.0

Segments Layout

Group	SG10	Status:C	Max. occ.: 9999	LIN-PIA-IMD-QTY-SG11-SG13
Group	SG11	Status:C	Max. occ.: 9	RFF
Segment	RFF	No.: 14 Status:R	Level: 2 Max. occ.: 1	Reference

Description Reference

Description of Segment:

	Description	St Format	*	Example	Remarks
C506	Reference	R			
1153	Reference code qualifier	R an..3	*	+ON	AAK = Despatch advice number ABO = Originator's reference LI = Line item reference number ON = Order number (buyer) PD = Promotion deal number VN = Order number (supplier) Qualifier LI refers to the related detail order line of the ORDERS message. The order-number must be submitted in the header of the message with the qualifier ON. (see example): AAK can be used for return-deliveries.
1154	Reference identifier	R an..70		: CT0515 23	
1156	Document line identifier	C an..6		:123'	

Description:

This segment is used to specify any references which are for the line item only.

Example:

RFF+ON:CT051523:123' (RFF of header section)

RFF+LI:123' (RFF of detail section)

INSDES 4.2.0

Segments Layout

Group **SG10** Status:C Max. occ.: 9999 LIN-PIA-IMD-QTY-SG11-SG13

Group **SG13** Status:C Max. occ.: 9999 PCI-GIN

Segment **PCI** No.: 15 Level: 2 Package identification
 Status:R Max. occ.: 1

Description Package identification

Description of Segment:

	Description	St Format	*	Example	Remarks
4233	Marking instructions code	R an..3	*	+33E'	10 = Mark batch number 33E = Marked with serial shipping container code (GS1 Code)

Description:

This segment is used to provide markings and labels information relevant to the product identified in the LIN segment.

Example:

Example:

PCI+17+PERISHABLE FOODSTUFFS'

INSDES 4.2.0

Segments Layout

Group **SG10** Status:C Max. occ.: 9999 LIN-PIA-IMD-QTY-SG11-SG13

Group **SG13** Status:C Max. occ.: 9999 PCI-GIN

Segment **GIN** No.: 16 Level: 3 Goods identity number
 Status:R Max. occ.: 9

Description Goods identity number

Description of Segment:

	Description	St Format	*	Example	Remarks
7405	Object identification code qualifier	R an..3	*	+BJ	BJ = Serial shipping container code BX = Batch number
C208	Identity number range	R			
7402	Object identifier	R an..35		+354123 4500000 00014'	

Description:

This segment is used to provide identification numbers marked on the packaging of the current line item.

Example:

Example:

GIN+BJ+354123450000000014'

INSDES 4.2.0

Segments Layout

Segment **UNS** No.: 17 Level: 0 Section control
 Status: R Max. occ.: 1

Description Section control

Description of Segment:

	Description	St Format	*	Example	Remarks
0081	Section identification	R a1	*	+S'	S = Detail/summary section separation

Description:

This segment is used to identify the break between the message detail and summary sections.

Example:

UNS+S'

INSDES 4.2.0

Segments Layout

Segment **UNT** No.: 18 Level: 0 **Message trailer**
 Status: R Max. occ.: 1

Description Message trailer

Description of Segment:

	Description	St Format	*	Example	Remarks
0074	Number of segments in the message	R n..6		+18	The total number of segments in the message is detailed here.
0062	Message reference number	R an..14		+389443'	The message reference numbered detailed here should equal the one specified in the UNH segment.

Description:

This segment is used to end and check the completeness of a message.

The UNT segment is a mandatory UN/EDIFACT segment. It must always be the last segment in the message.

Example:

UNT+44+389443'

INSDES 4.2.0

List of changes

No.	Description	Segments and elements	
01	07.01.2014: Publication version 4.1.0	1	UNH
02	01.07.2016/4.2.0: Adding qualifier 10 (WR 16-001)	15 SG10#1\SG13#1	4233
03	01.07.2016/4.2.0: Adding qualifier BX (WR 16-001)	16 SG10#1\SG13#1	7405
04	01.07.2016/4.2.0: Publication of version 4.2.0	1	UNH

GS1 Schweiz - Zusammen Werte schaffen

GS1 Schweiz ist die Kompetenzplattform für nachhaltige Wertschöpfung auf der Basis optimierter Waren- und Informationsflüsse. Als Fachverband mit rund 5300 Mitgliedsunternehmen vernetzt GS1 Schweiz Beteiligte, fördert die Kollaboration und vermittelt Kompetenz in Wertschöpfungs-netzwerken. Globale GS1 Standards und Prozessmodelle ermöglichen die Gestaltung effizienter Wertschöpfungsketten.

GS1 Switzerland

Monbijoustrasse 68

CH-3007 Bern

T +41 58 800 70 00

www.gs1.ch



GS1 is a registered trademark of GS1 AISBL.
All contents copyright © GS1 Switzerland 2016

GS1 System, INSDDES - Instruction to Despatch
Version 4.2.0 - 01.07.2016. | keine GTIN